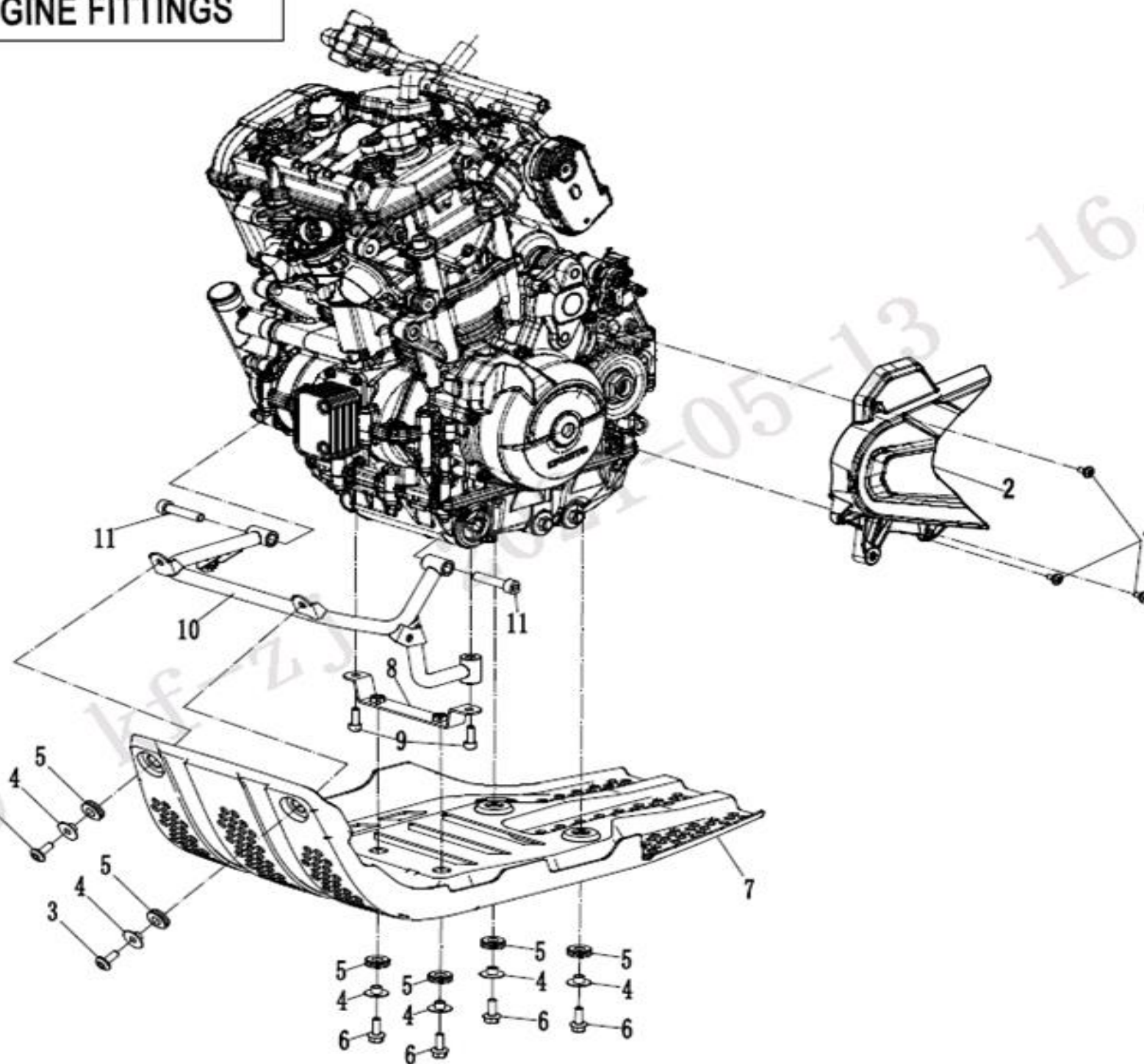
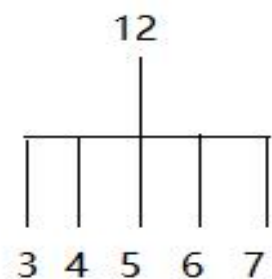


F00-B 发动机安装附件 ENGINE FITTINGS

发动机安装附件/ ENGINE FITTINGS



CFMOTO

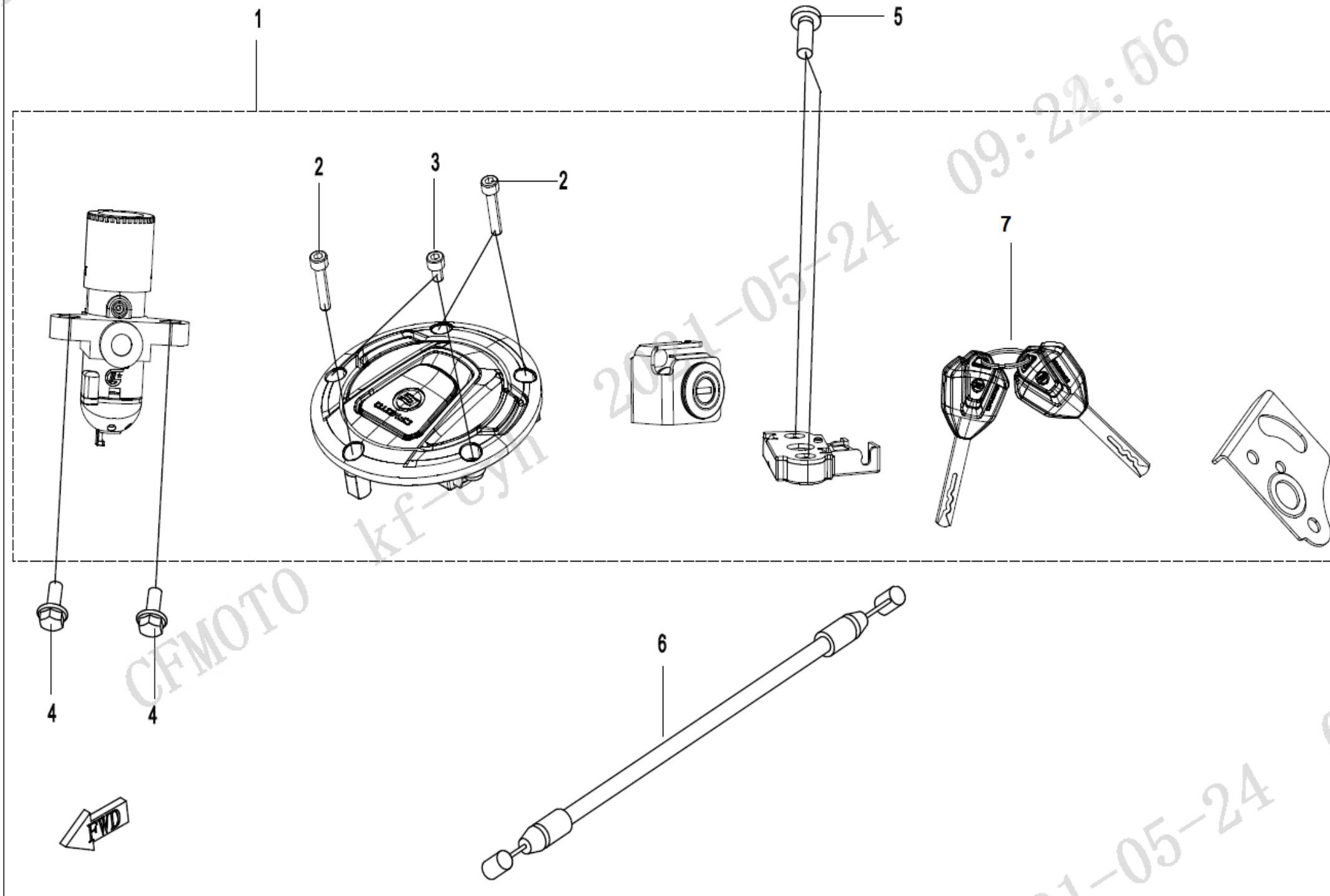
16:09:58

05-13

Item No.	Parts Number	Parts Name(EN)	Parts Name(CN)	Qty	Remark(s)
F00-B-1	6WWV-046502-5000	STEPPED SCREW M5	M5组合台阶螺钉	3	
F00-B-2	6WWV-000102-5000	GUARD, SMALL SPROCKET	小链轮护罩	1	
F00-B-3	6WWV-046801-5000	INNER HEX SCREW M6x16	M6x16内六角螺钉	2	
F00-B-4	9010-160102	WASHER, HEADLIGHT	前照灯钢套	6	
F00-B-5	9010-160101	RUBBER MAT, HEADLIGHT	前照灯胶垫	6	
F00-B-6	30006-060016870	BOLT M6x16	螺栓	4	
F00-B-7	6WWV-000101-5000	LOWER GUARD, ENGINE	发动机下罩	1	
F00-B-8	6WWV-000130-5000	FRONT BRACKET ASSY, GUARD	护罩前安装支架组合	1	
F00-B-9	30102-060016810	SCREW	螺钉	2	
F00-B-10	6WWV-000200-5000	FRONT BRACKET ASSY, GUARD	护罩前安装支架焊接组合	1	
F00-B-11	30102-080040810	SCREW M8x40	螺钉	2	
F00-B-12	6WWV-0001A0-5000	LOWER GUARD, ENGINE	发动机下罩组件	1	

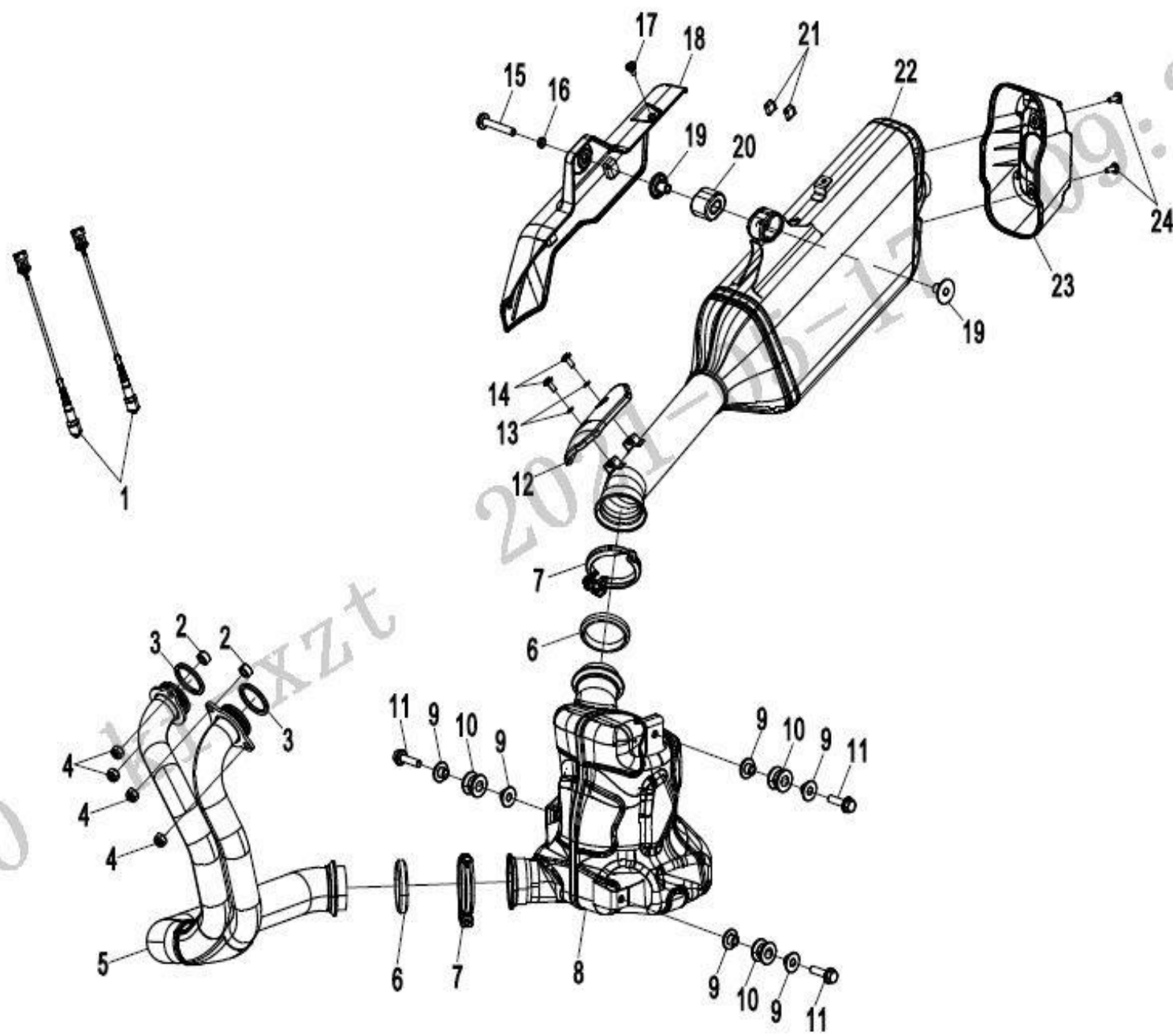
F01 锁具 LOCK KIT

F01锁具总成/LOCK ASSY



Item No.	Parts Number	Parts Name(EN)	Parts Name(CN)	Qty	Remark(s)
F01-1	6WWV-011000-5000	LOCK KIT	锁具组合	1	
F01-2	30102-050025900	INNER HEX SCREW M5x25	内六角圆柱头螺钉	3	
F01-3	30102-050008900	INNER HEX SCREW M5x8	内六角圆柱头螺钉	2	
F01-4	30102-080020810	SCREW M8x20	螺钉	2	
F01-5	30006-060022810	BOLT	螺栓	2	
F01-6	6WWV-010010-5000	SEAT CABLE	座垫拉索	1	
F01-7	6KMV-011020-B001	KEY	钥匙	1	

排气消声器/ MUFFLER



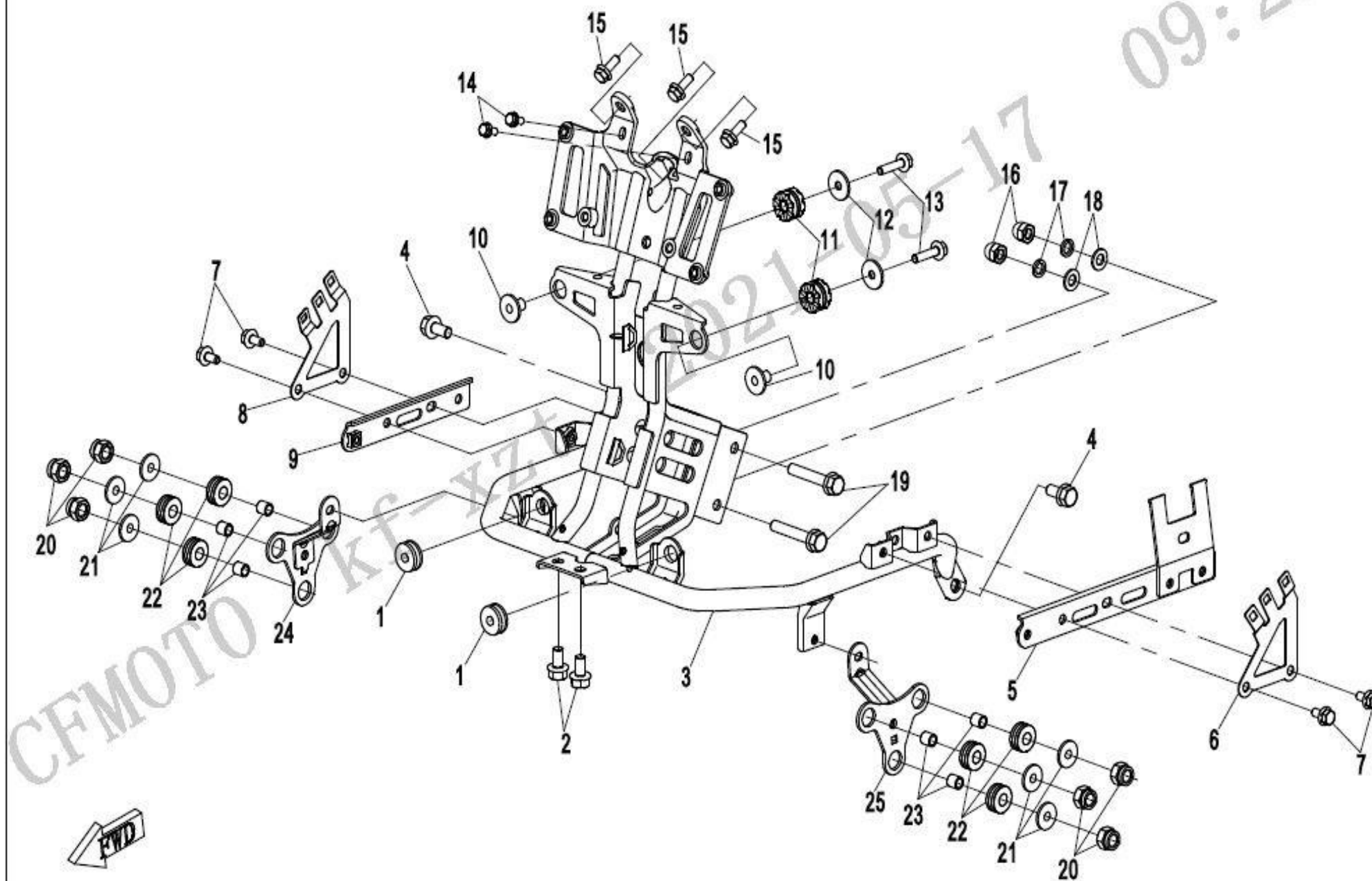
CFMOTO

2019:22:42

Item No.	Parts Number	Parts Name(EN)	Parts Name(CN)	Qty	Remark(s)
F02-1	0HU0-176000	OXYGEN SENSOR	氧传感器	2	
F02-2	6WWV-020001-5000	BUSHING, EXHAUST PORT	排气口衬套	2	
F02-3	6WWV-020004-5000	SEAL GASKET, EXHAUST	排气密封垫	2	
F02-4	6L30-020005	LOCK NUT	锁紧螺母	4	
F02-5	6WWV-021100-5001	EXHAUST PIPE ASSY	排气管焊接组件	1	
F02-6	6L30-021001	SEAL SLEEVE 1, GRAPHITE	石墨密封套 I	2	
F02-7	6L30-021010	CALMP 1	抱箍组件 I	2	
F02-8	6WWV-021200-5001	FRONT MUFFLER BODY	前筒体焊接组件	1	
F02-9	6WWV-020002-5000	BUSHING, MUFFLER BODY	筒体安装衬套	6	
F02-10	6WWV-020003-5000	RUBBER SLEEVE, MUFFLER BODY	筒体橡胶套	3	
F02-11	30006-080030810	BOLT M8x30	螺栓	3	
F02-12	6WWV-021003-5000	REAR COVER, EXHAUST PIPE	尾筒弯管护罩	1	
F02-13	30303-050042	WASHER	垫圈	2	
F02-14	6NTA-040202	INNER HEX SCREW M5x12	内六角螺钉M5x12	2	
F02-15	6L30-020003	INNER HEX SCREW M8x52	内六角螺钉	1	
F02-16	6WWV-021004-5000	BUSHING, GUARD	护罩衬套	1	
F02-17	6WWV-046502-5000	STEPPED SCREW M5	M5组合台阶螺钉	1	
F02-18	6WWV-021001-5000	GUARD, MUFFLER	消声器护罩	1	
F02-19	6L30-020006	T-TYPE BUSHING	大T型衬套	2	
F02-20	6L30-020001	DAMPING SLEEVE, MUFFLER	消声器缓冲套	1	
F02-21	6GU#-021005-6000	GUARD RUBBER SLEEVE	护罩橡胶套	2	
F02-22	6WWV-021300-5001	REAR MUFFLER BODY	尾筒体焊接组件	1	
F02-23	6WWV-021002-5000	REAR COVER, MUFFLER	消声器尾罩	1	
F02-24	6WWV-047102-5000	INNER HEX SCREW M5x14	M5x14内六角螺钉	2	

F03-1 前支架 FRONT BRACKET

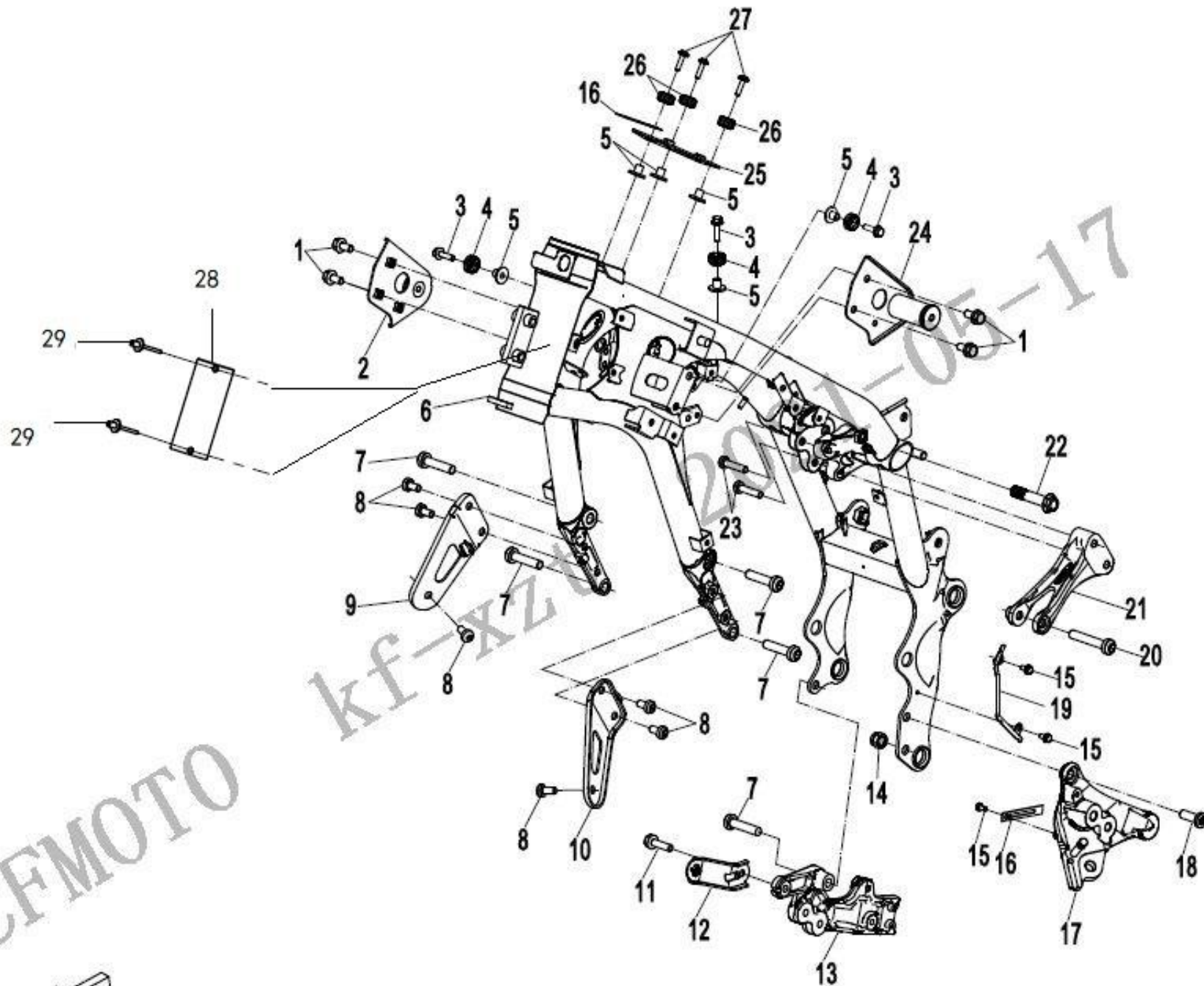
前支架/FRONT BRACKET



Item No.	Parts Number	Parts Name(EN)	Parts Name(CN)	Qty	Remark(s)
F03-1-1	A000-040302	RUBBER DAMPER	油箱外护罩缓冲橡胶	2	
F03-1-2	30006-080014810	BOLT M8x14	螺栓	2	
F03-1-3	6WWV-030300-5000	FRONT BRACKET ASSY	前支架焊接组件	1	
F03-1-4	30006-080016810	BOLT M8x16	螺栓	2	
F03-1-5	6WWV-030400-5000	LH CONNECTING BRACKET, FRONT BRACKET	前支架左连接支架	1	
F03-1-6	6WWV-030110-5000	LH BRACKET, CONNECTORS	左接插件安装支架	1	
F03-1-7	30006-060012870	BOLT M6x12	螺栓	4	
F03-1-8	6WWV-030120-5000	RH BRACKET, CONNECTORS	右接插件安装支架	1	
F03-1-9	6WWV-030500-5000	RH CONNECTING BRACKET, FRONT BRACKET	前支架右连接支架	1	
F03-1-10	5020-031002	RUBBER SLEEVE LINER, FRONT LICENSE BRACKET	前牌照支架橡胶套衬套	2	
F03-1-11	5020-031001	RUBBER SLEEVE, FRONT LICENSE BRACKET	前牌照支架橡胶胶套	2	
F03-1-12	30301-060412	WASHER	垫圈	2	
F03-1-13	30006-060025810	BOLT M6x25	螺栓	2	
F03-1-14	30006-050012810	BOLT M5x12	螺栓	2	
F03-1-15	30006-060016870	BOLT M6x16	螺栓	3	
F03-1-16	30206-080510	NUT M8	盖形螺母	2	
F03-1-17	30303-080112	WASHER M8	垫圈	2	
F03-1-18	30306-080112	WASHER M8	垫圈	2	
F03-1-19	30006-080045810	BOLT M8x45	螺栓	2	
F03-1-20	6090-040303	BUSHING	衬套	6	
F03-1-21	6090-040302	RUBBER DAMPER	缓冲胶套	6	
F03-1-22	30305-060112	WASHER M6	垫圈	6	
F03-1-23	30204-060810	NUT M6	螺母	6	
F03-1-24	6WWV-030700-5000	RH BRACKET, FOG LIGHT	雾灯右支架焊接组合	1	
F03-1-25	6WWV-030600-5000	LH BRACKET, FOG LIGHT	雾灯左支架焊接组合	1	

F03-2 主车架 MAIN FRAME

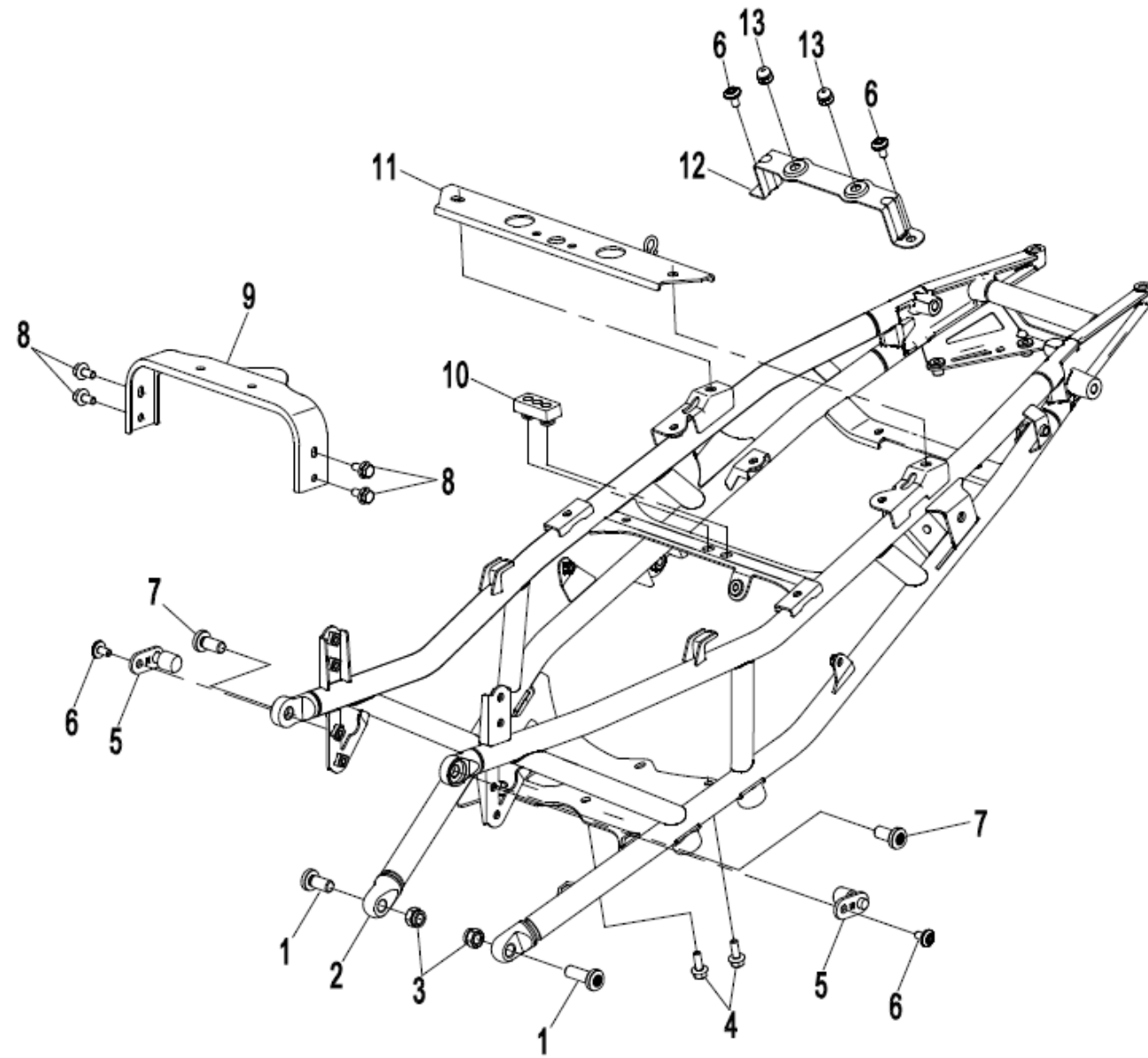
主车架/MAIN FRAME



Item No.	Parts Number	Parts Name(EN)	Parts Name(CN)	Qty	Remark(s)
F03-2-1	30006-080016810	BOLT M8x16	螺栓	4	
F03-2-2	6WWV-030040-5000	RH MIDDLE BRACKET, FRONT BUMPER	前保险杠右中安装座	1	
F03-2-3	30006-060022810	BOLT	螺栓	3	
F03-2-4	9060-180029	RUBBER CUSHION TUBE, RADIATOR	散热器缓冲胶套套管	6	
F03-2-5	6KM#-181001-8001	DAMPING RUBBER MAT	减震胶垫	3	
F03-2-6	6WWV-031000-5002-0BP00	FRONT FRAME ASSY	主车架焊接组件	1	
F03-2-7	6WWV-030011-5000	INNER HEX SCREW M10x45	内六角螺钉M10X45	5	
F03-2-8	6WWV-030013-5000	INNER HEX SCREW M8x16	内六角螺钉M8X16	6	
F03-2-9	6WWV-030060-5000	RH REAR BRACKET, BUMPER	保险杠右后安装座	1	
F03-2-10	6WWV-030050-5000	LH REAR BRACKET, BUMPER	保险杠左后安装座	1	
F03-2-11	30006-080028810	BOLT M8x28	螺栓	1	
F03-2-12	6WWV-000120-5000	RH BRACKET ASSY, GUARD	护罩右安装支架组合	1	
F03-2-13	6WWV-030090-5000	RH BRACKET, MIDDLE SUPPORTER	中撑右安装座	1	
F03-2-14	K-54310086100	SELF LOCKING NUT M10 CU WS=14	自锁螺母M10	1	
F03-2-15	30006-050012810	BOLT M5x12	螺栓	3	
F03-2-16	0180-014010	WIRE CLAMP	线夹组合	2	
F03-2-17	6WWV-030080-5000	LH BRACKET, MIDDLE SUPPORTOR	中撑左安装座	1	
F03-2-18	6WWV-030017-5000	INNER HEX SCREW M10x30	内六角花形螺钉M10X30	1	
F03-2-19	6WWV-030003-5000	BRACKET, SIDE STAND SWITCH CABLE	边撑熄火开关线缆固定支架	1	
F03-2-20	6L30-030091	BOLT M10x60	悬挂螺栓	1	
F03-2-21	6WWV-030009-5000	ENGINE HANGING BRACKET	发动机吊架	1	
F03-2-22	6WWV-030018-5000	BOLT M12x60	螺栓 M12X60	1	
F03-2-23	30102-080050810	INNER HEX SCREW M8x50	内六角螺钉M8X50	2	
F03-2-24	6WWV-030030-5000	LH MIDDLE BRACKET, FRONT BUMPER	前保险杠左中安装座	1	
F03-2-25	6WWV-030001-5000	BRACKET, 6D SENSOR	6D传感器安装座	1	
F03-2-26	6WWV-030019-5000	RUBBER BUSHING	缓冲橡胶套	3	
F03-2-27	6WWV-046902-5000	INNER HEX SCREW M6x20	M6x20内六角螺钉	3	
F03-2-28	6WWV-190012-5300	VIN PLATE	车辆铭牌	1	
F03-2-29	30902-0401320	BLIND RIVET 4X8	抽芯铆钉	2	

F03-3 副车架 REAR FRAME

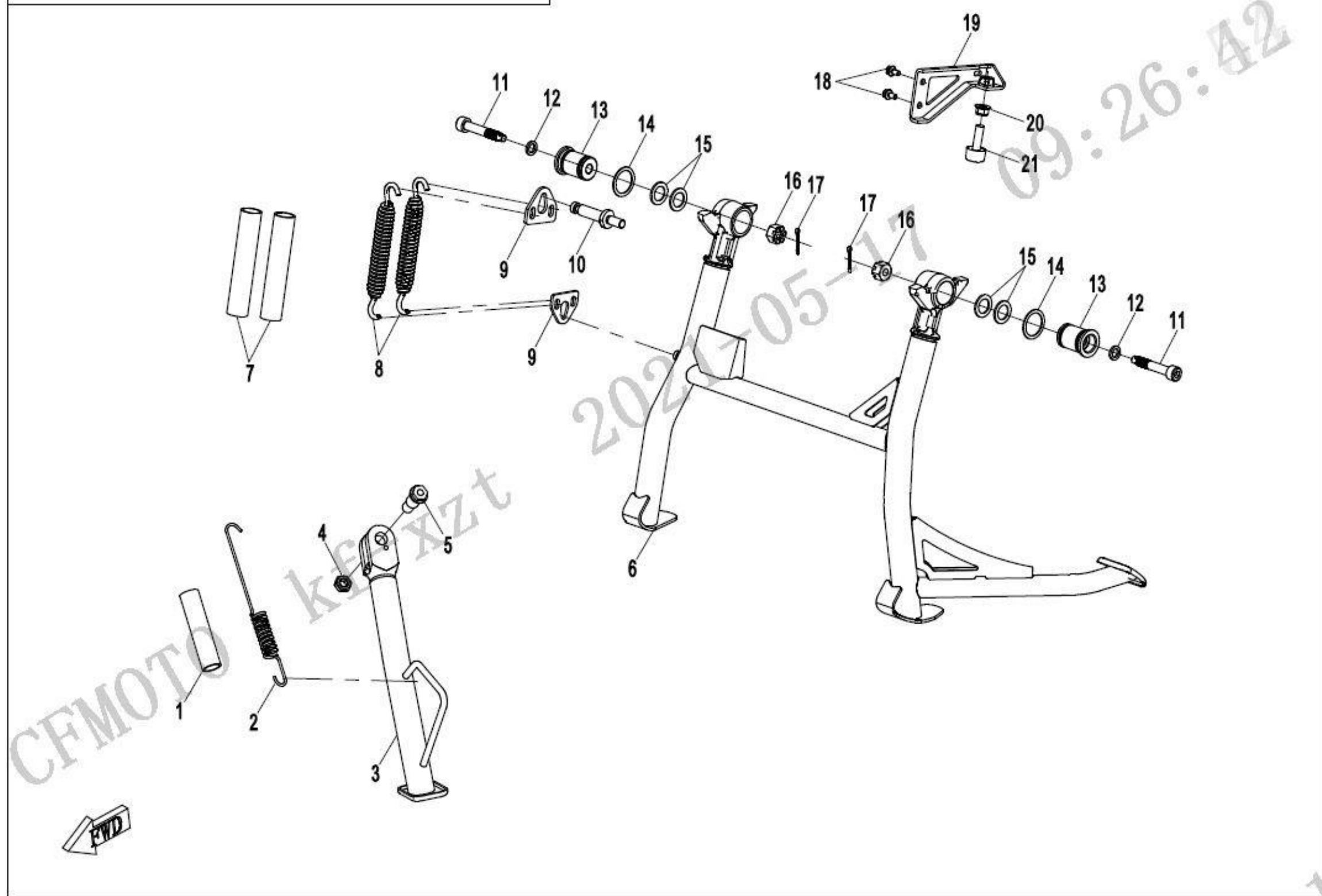
副车架/REAR FRAME



Item No.	Parts Number	Parts Name(EN)	Parts Name(CN)	Qty	Remark(s)
F03-3-1	6WWV-030017-5000	INNER HEX SCREW M10x30	内六角花形螺钉M10X30	2	
F03-3-2	6WWV-032000-5001-0BP00	REAR FRAME ASSY	副车架焊接组件	1	
F03-3-3	K-54310086100	SELF LOCKING NUT M10 CU WS=14	自锁螺母M10	2	
F03-3-4	30006-060016870	BOLT M6x16	螺栓	2	
F03-3-5	6WWV-030070-5000	AIR FILTER MOUNTING ASSY	空滤器安装组件	2	
F03-3-6	6WWV-046702-5000	INNER HEX SCREW M6x12	M6x12内六角螺钉	4	
F03-3-7	6WWV-030016-5001	INNER_HEX_SCREW_M10x22	内六角花形螺钉M10X22	2	
F03-3-8	30006-060012870	BOLT M6x12	螺栓	4	
F03-3-9	6WWV-030010-5000	REAR BRACKET, FUEL TANK	油箱后安装座	1	
F03-3-10	6090-130012	RUBBER DAMPER	缓冲橡胶块	1	
F03-3-11	6WWV-030020-5000	BRACKET, SEAT LOCK	座垫锁安装座	1	
F03-3-12	6WWV-030004-5000	BRACKET, BATTERY	电瓶固定支架	1	
F03-3-13	6WWV-045801-5000	RUBBER	凸点橡胶	2	

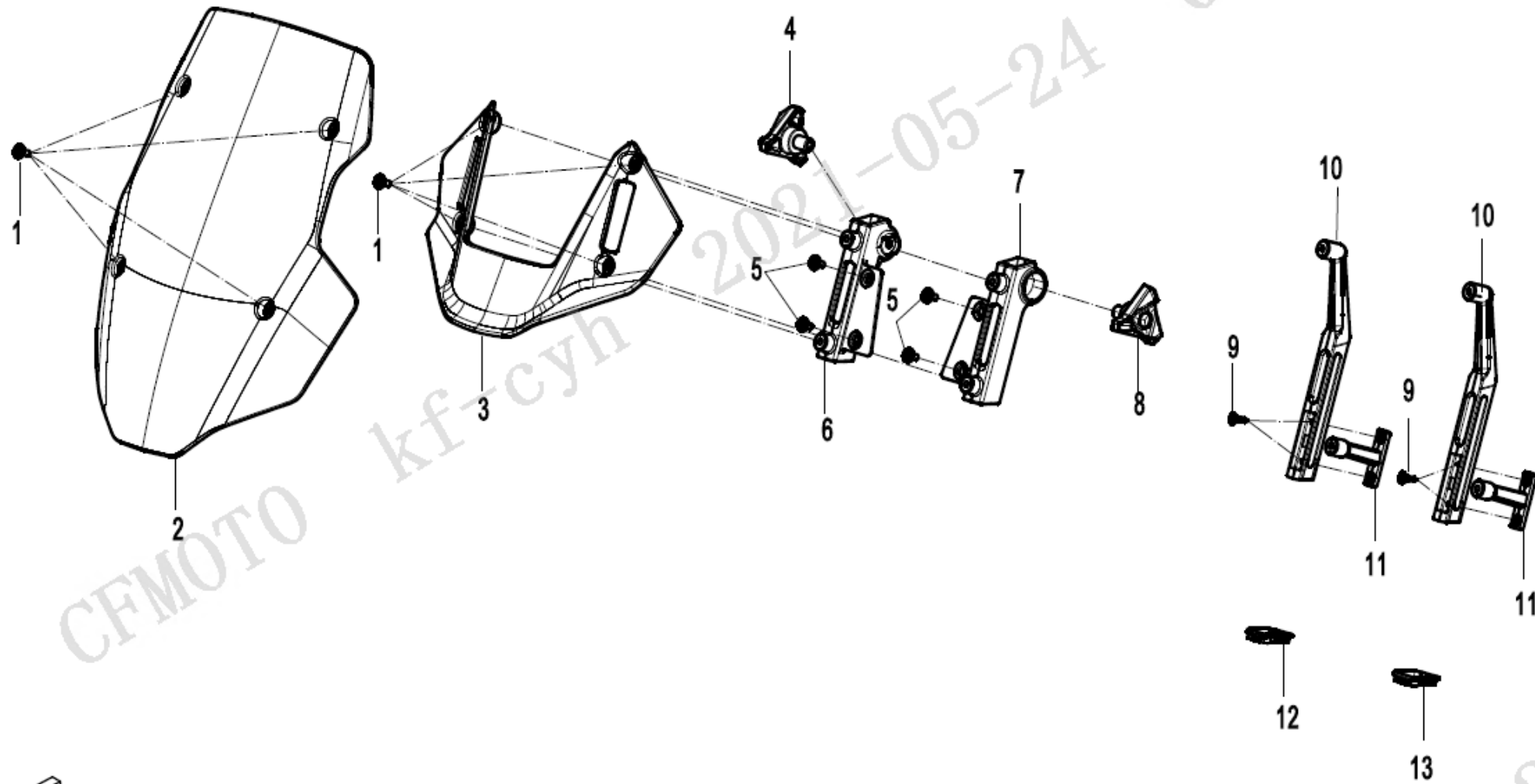
F03-4 边撑&中撑 SIDE STAND&MIDDLE SUPPORTER

边撑&中撑/SIDE STAND&MIDDLE SUPPORTER



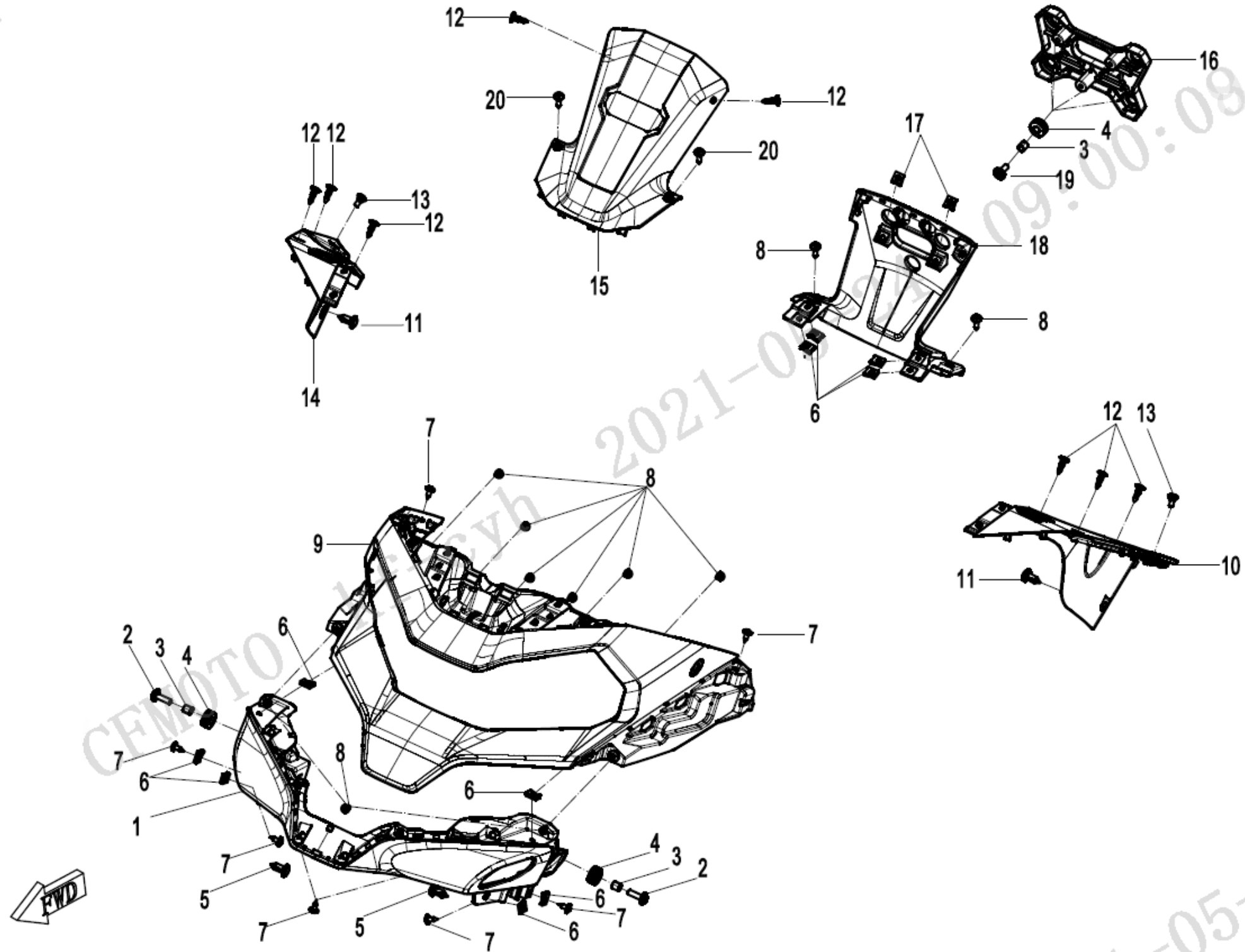
Item No.	Parts Number	Parts Name(EN)	Parts Name(CN)	Qty	Remark(s)
F03-4-1	A000-030004	SPRING COLLAR, SIDE STAND	边撑弹簧护套	1	
F03-4-2	A000-030210	SPRING, SIDE STAND	边撑弹簧组合	1	
F03-4-3	6WWV-030200-5000	SIDE BRACKET ASSY	侧支架焊接组件	1	
F03-4-4	30208-102810	NUT M10x1.25	螺母	1	
F03-4-5	A000-030006	BOLT, SIDE STAND	侧支架螺栓	1	
F03-4-6	6WWV-030100-5000	MIDDLE SUPPORTER ASSY	中撑焊接组件	1	
F03-4-7	6L30-030705	SPRING SLEEVE, SIDE BRACKET	主支架弹簧护套	2	
F03-4-8	6L30-030060	SPRING, MAIN BRACKET	主支架弹簧组合	2	
F03-4-9	6WWV-030106-5000	SPRING HOOK, MIDDLE SUPPORTER	中撑弹簧挂钩板	2	
F03-4-10	6WWV-030005-5000	SPRING PIN, MIDDLE SUPPORTER	中撑弹簧挂销	1	
F03-4-11	6L30-030093	BOLT	缩口螺栓	2	
F03-4-12	6L30-030720	SELF-LOCK RETAINER KIT	双叠自锁垫圈组合	2	
F03-4-13	6L30-030701	BUSHING MAIN BRACKET	主支架衬套	2	
F03-4-14	6L30-030706	FRICITION WASHER	摩擦垫片	2	
F03-4-15	1F30-024014	O-SEAL RING 17x2	O型密封圈	4	
F03-4-16	6L30-030094	SLOTTED NUT	开槽螺母	2	
F03-4-17	30903-0252610	COTTER PIN 2.5X26	开口销	2	
F03-4-18	6WWV-046702-5000	INNER HEX SCREW M6x12	M6x12内六角螺钉	2	
F03-4-19	6WWV-030190-5000	LIMIT SEAT, MIDDLE SUPPORTER	中撑限位座	1	
F03-4-20	30200-080810	NUT M8	螺母	1	
F03-4-21	6L30-030080	DAMPING MATE ASSY	主撑缓冲垫组合	1	

塑料件 I / PLASTICS I



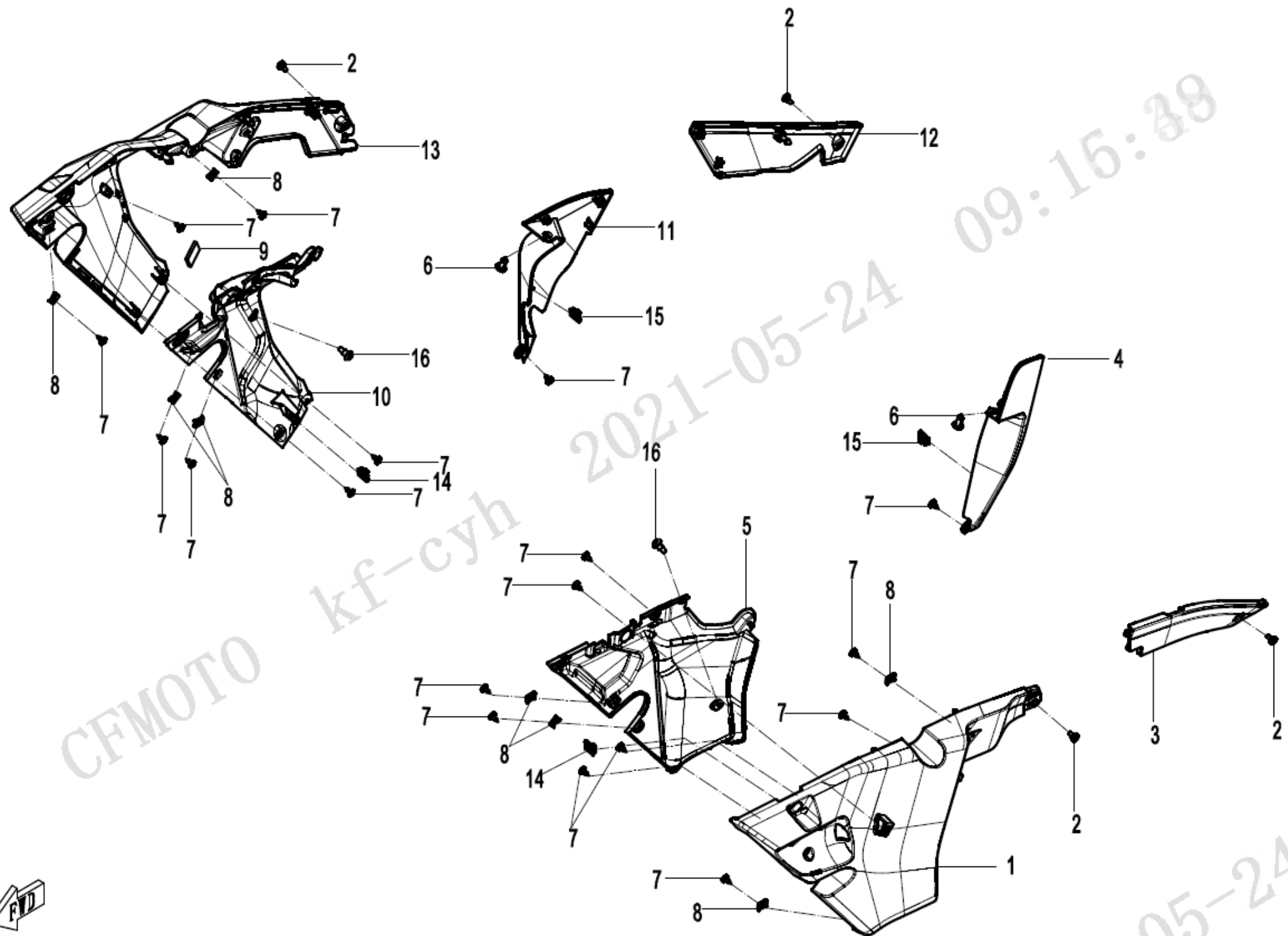
Item No.	Parts Number	Parts Name(EN)	Parts Name(CN)	Qty	Remark(s)
F04-1-1	6WWV-046602-5000	INNER HEX STEPPED SCREW M6x14	M6x14内六角台阶螺钉	8	
F04-1-2	6WWV-040101-5000	WINDSHIELD	挡风玻璃	1	
F04-1-3	6WWV-040201-5000	SMALL WINDSHIELD	小挡风玻璃	1	
F04-1-4	6WWV-045001-5001	RH ADJUSTING BUTTON, WINDSHIELD	右挡风玻璃调整旋钮	1	
F04-1-5	6100-120005	INNER HEX SCREW M6x8	内六角螺钉M6x8	4	
F04-1-6	6WWV-046401-5000	RH BRACKET, WINDSHIELD	挡风玻璃右支架	1	
F04-1-7	6WWV-046301-5000	LH BRACKET, WINDSHIELD	挡风玻璃左支架	1	
F04-1-8	6WWV-044901-5001	LH ADJUSTING BUTTON, WINDSHIELD	左挡风玻璃调整旋钮	1	
F04-1-9	30105-050014470	SCREW	螺钉	4	
F04-1-10	6WWV-046101-5000	UPPER COLUMN, WINDSHIELD	挡风玻璃上安装柱	2	
F04-1-11	6WWV-046201-5000	LOWER COLUMN, WINDSHIELD	挡风玻璃下安装柱	2	
F04-1-12	6WWV-044201-5000	RH BRACKET RUBBER SLEEVE, WINDSHIELD	挡风玻璃右支架胶套	1	
F04-1-13	6WWV-044101-5000	LH BRACKET RUBBER SLEEVE, WINDSHIELD	挡风玻璃左支架胶套	1	

F04-2塑料件II/PLASTICS II



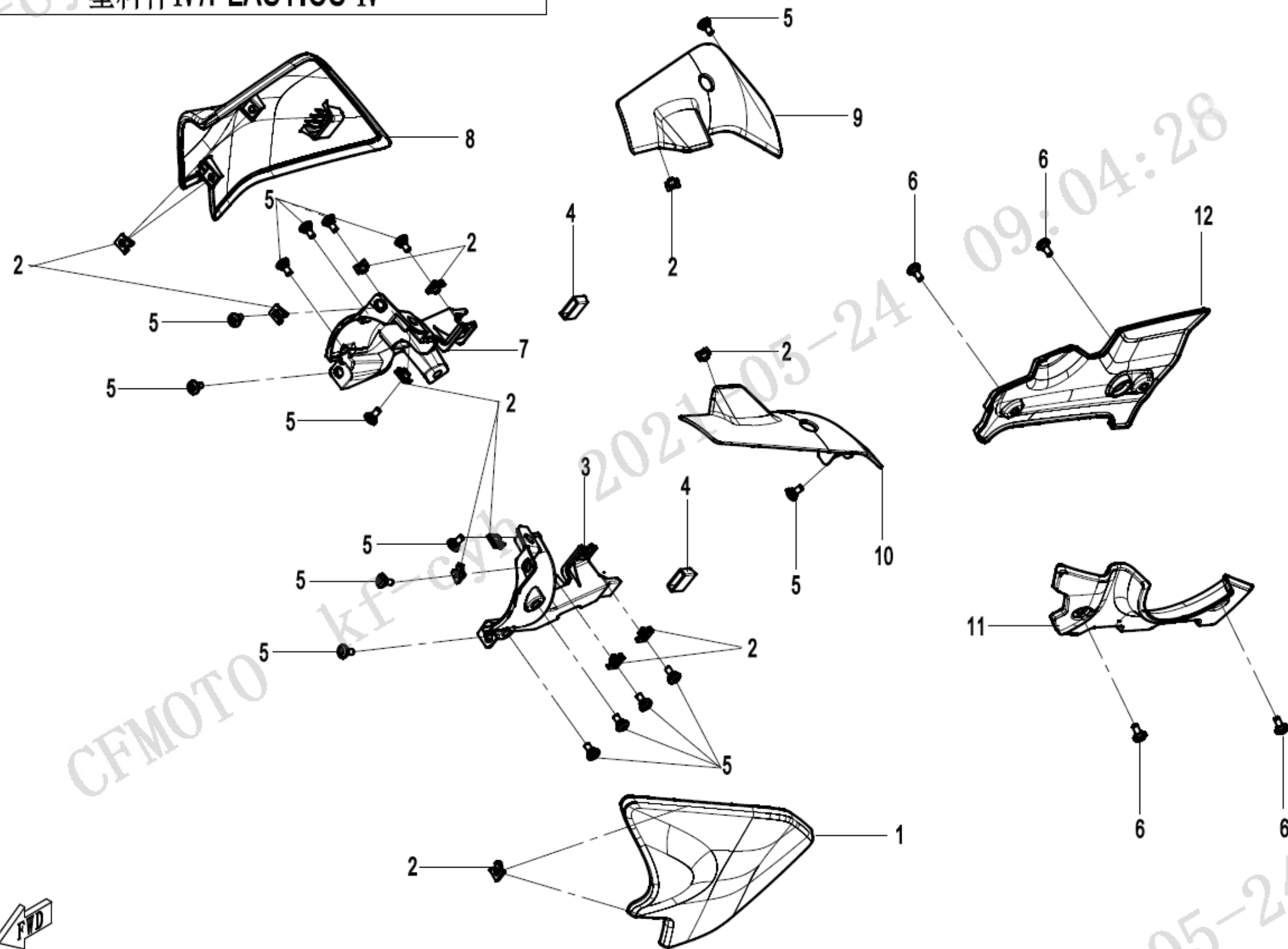
Item No.	Parts Number	Parts Name(EN)	Parts Name(CN)	Qty	Remark(s)
F04-2-1	6WWV-040701-5000	HEADLIGHT LOWER COVER	大灯下罩	1	
F04-2-2	6WWV-046901-5000	INNER HEX SCREW M6x20	M6x20内六角螺钉	2	
F04-2-3	6090-040303	BUSHING	衬套	6	
F04-2-4	6090-040302	RUBBER DAMPER	缓冲胶套	6	
F04-2-5	9060-040310	PLASTIC CLIPS	塑料卡组合	2	
F04-2-6	8080-000002	CLIP NUT ST4.8	夹板ST4.8	10	
F04-2-7	30110-421130010	SELF-TAPPING SCREW ST4.2x13	自攻螺钉	8	
F04-2-8	30110-481130010	SELF-TAPPING SCREW ST4.8x13	自攻螺钉	10	
F04-2-9	6WWV-040601-5000-0BW00	HEADLIGHT COVER	大灯罩	1	NEBULA BLACK+MERCURY GREY
F04-2-9	6WWV-040601-5001-0DC00	HEADLIGHT COVER	大灯罩	1	NEBULA BLACK_DESERT YELL
F04-2-10	6WWV-040901-5000	LH INNER PLATE, HEADLIGHT COVER	大灯罩左内护板	1	
F04-2-11	9060-040310	PLASTIC CLIPS	塑料卡组合	2	
F04-2-12	8080-041130	PLASTIC SCREW	塑料膨胀螺钉组合	8	
F04-2-13	6WWV-046502-5000	STEPPED SCREW M5	M5组合台阶螺钉	2	
F04-2-14	6WWV-040801-5000	RH INNER PLATE, HEADLIGHT COVER	大灯罩右内护板	1	
F04-2-15	6WWV-040401-5000	FRONT COVER, DASHBOARD	仪表前罩	1	
F04-2-16	6WWV-040501-5000	ADAPTOR BRACKET, DASHBOARD	仪表转接支架	1	
F04-2-17	6KM#-040081-8000-M1	NUT CLIP M5	M5螺母夹	2	
F04-2-18	6WWV-040301-5001	REAR COVER, DASHBOARD	仪表后罩	1	
F04-2-19	6WWV-046802-5000	INNER HEX SCREW M6x16	M6x16内六角螺钉	4	
F04-2-20	30110-480190070	SLEF-TAPPING SCREW	自攻螺钉_ST4.8X19_黑锌	2	

塑料件III/PLASTICSIII



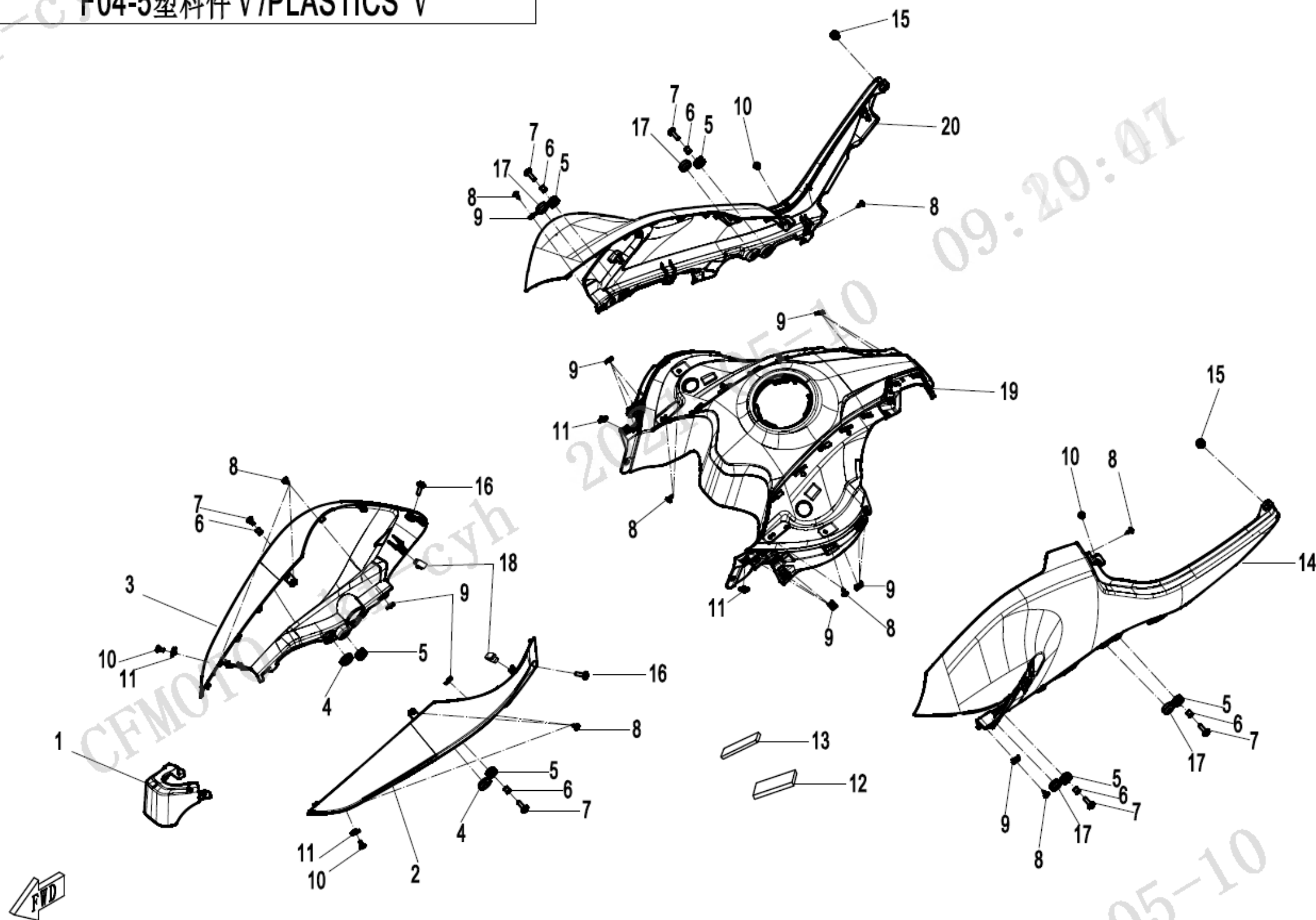
Item No.	Parts Number	Parts Name(EN)	Parts Name(CN)	Qty	Remark(s)
F04-3-1	6WWV-041501-5000	LH FRONT PANEL, RADIATOR	散热器左前护板	1	
F04-3-2	6WWV-046502-5000	STEPPED SCREW M5	M5组合台阶螺钉	4	
F04-3-3	6WWV-044701-5000	LH REAR PANEL, RADIATOR	散热器左后护板	1	
F04-3-4	6WWV-041701-5000	LH DEFLECTOR, RADIATOR	散热器左导风罩	1	
F04-3-5	6WWV-041901-5000	LH INNER PANEL, RADIATOR	散热器左内护板	1	
F04-3-6	9060-040310	PLASTIC CLIPS	塑料卡组合	2	
F04-3-7	30110-481130070	SELF-TAPPING SCREW	自攻螺钉	18	
F04-3-8	8080-000002	CLIP NUT ST4.8	夹板ST4.8	8	
F04-3-9	6KM#-040066-8001	SPONGE STRAP	海绵条	1	
F04-3-10	6WWV-042001-5000	RH INNER PANEL, RADIATOR	散热器右内护板	1	
F04-3-11	6WWV-041801-5000	RH DEFLECTOR, RADIATOR	散热器右导风罩	1	
F04-3-12	6WWV-044801-5000	RH REAR PANEL, RADIATOR	散热器右后护板	1	
F04-3-13	6WWV-041601-5000	RH FRONT PANEL, RADIATOR	散热器右前护板	1	
F04-3-14	8030-040800-00001	NUT CLIP M6	M6螺母夹	2	
F04-3-15	6KM#-040081-8000-M1	NUT CLIP M5	M5螺母夹	2	
F04-3-16	6NQ#-000202-6001	BOLT	凸台螺栓	2	

塑料件IV/PLASTICS IV



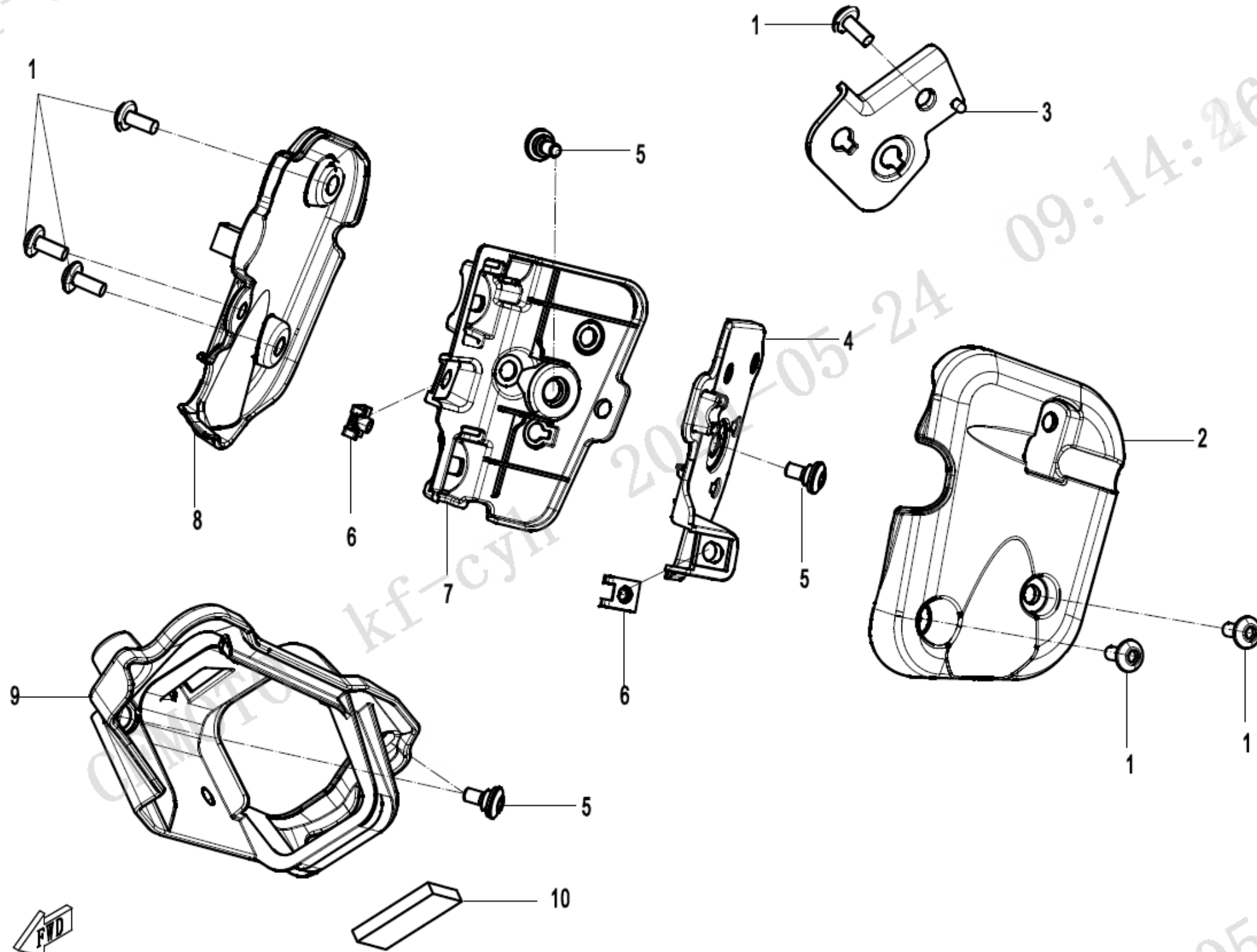
Item No.	Parts Number	Parts Name(EN)	Parts Name(CN)	Qty	Remark(s)
F04-4-B-1	6WWV-046010-5100	LH FOG LIGHT COVER ASSY	左雾灯罩组件	1	
F04-4-B-2	6KM#-040081-8000-M1	NUT CLIP M5	M5螺母夹	14	
F04-4-B-3	6WWV-042301-5000	BRACKET, LH FOG LIGHT	左雾灯支架	1	
F04-4-B-4	6WWV-044001-5000	RUBBER, FOG LIGHT COVER	雾灯罩缓冲橡胶	2	
F04-4-B-5	6WWV-046502-5000	STEPPED SCREW M5	M5组合台阶螺钉	16	
F04-4-B-6	6WWV-046602-5000	INNER HEX STEPPED SCREW M6x14	M6x14内六角台阶螺钉	4	
F04-4-B-7	6WWV-042401-5000	BRACKET, RH FOG LIGHT	右雾灯支架	1	
F04-4-B-8	6WWV-046020-5100	RH FOG LIGHT COVER ASSY	右雾灯罩组件	1	
F04-4-B-9	6WWV-045601-5000	DECO COVER, RH FOG LIGHT	右雾灯装饰盖	1	
F04-4-B-10	6WWV-045701-5000	DECO COVER, LH FOG LIGHT	左雾灯装饰盖	1	
F04-4-B-11	6WWV-043701-5000	ENGINE LH PANEL	发动机左护板	1	
F04-4-B-12	6WWV-043801-5000	ENGINE RH PANEL	发动机右护板	1	

F04-5塑料件 V/PLASTICS V



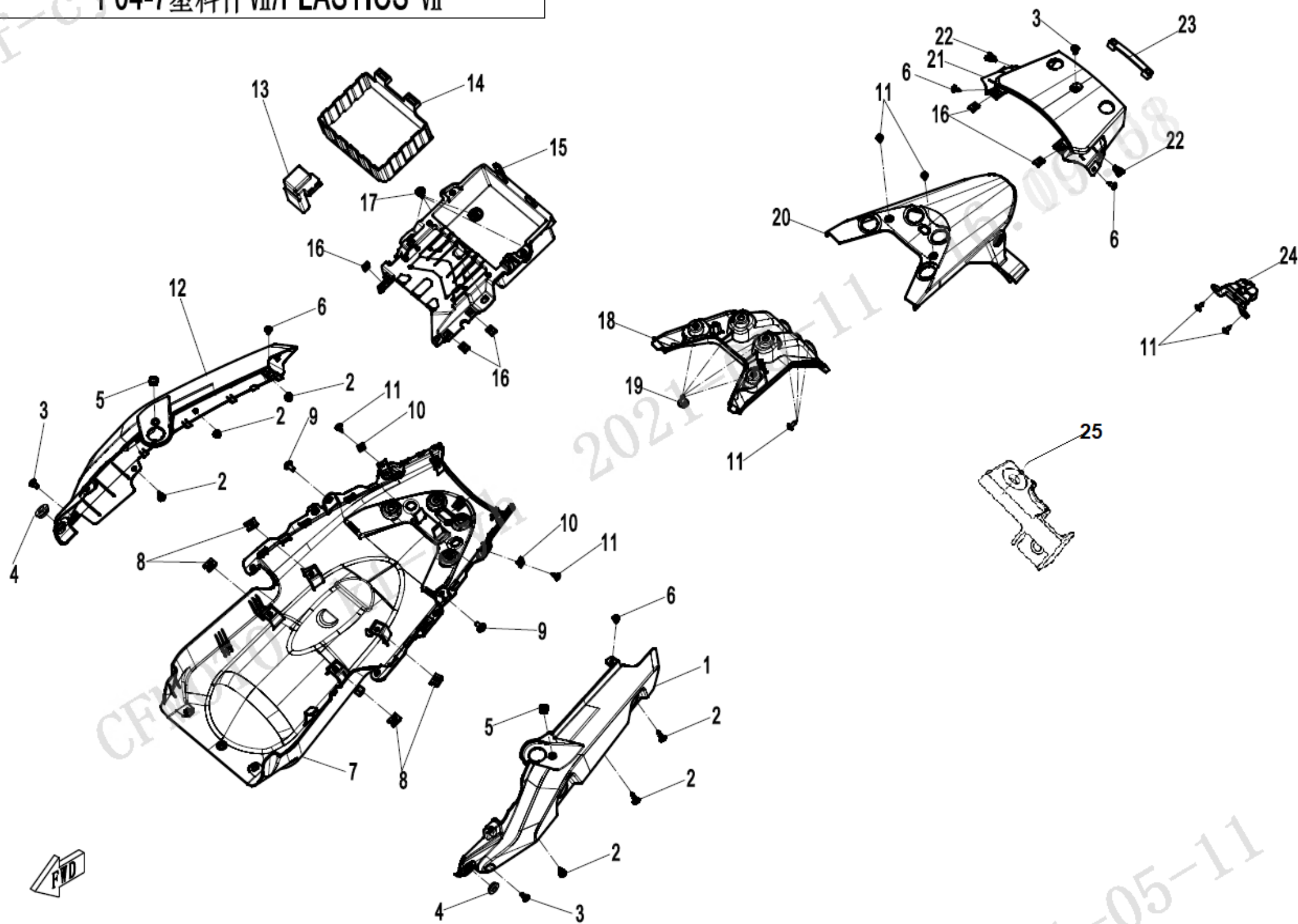
Item No.	Parts Number	Parts Name(EN)	Parts Name(CN)	Qty	Remark(s)
F04-5-1	6WWV-043901-5000	COVER, IGNITION LOCK	点火锁罩	1	
F04-5-2	6WWV-041301-5000-0VF00	LH FRONT PANEL, FUEL TANK	左前油箱护板	1	MERCURY SILVER FOR BLUE BIKE
F04-5-2	6WWV-041301-5000-0G900	LH FRONT PANEL, FUEL TANK	左前油箱护板	1	TACTICAL GREEN FOR YELLOW BIKE
F04-5-3	6WWV-041401-5000-0VF00	RH FRONT PANEL, FUEL TANK	右前油箱护板	1	MERCURY SILVER FOR BLUE BIKE
F04-5-3	6WWV-041401-5000-0G900	RH FRONT PANEL, FUEL TANK	右前油箱护板	1	TACTICAL GREEN FOR YELLOW BIKE
F04-5-4	8080-040064	DAMPER, FRONT FENDER	前围缓冲橡胶套	6	
F04-5-5	6090-040302	RUBBER DAMPER	缓冲胶套	6	
F04-5-6	6090-040303	BUSHING	衬套	6	
F04-5-7	6WWV-046901-5000	INNER HEX SCREW M6x20	M6x20内六角螺钉	6	
F04-5-8	30110-481130010	SELF-TAPPING SCREW ST4.8x13	自攻螺钉	14	
F04-5-9	8080-000002	CLIP NUT ST4.8	夹板ST4.8	16	
F04-5-10	6WWV-046501-5000	STEPPED SCREW M5	M5组合台阶螺钉	4	
F04-5-11	6KM#-040081-8000-M1	NUT CLIP M5	M5螺母夹	10	
F04-5-12	6KM#-040066-8001	SPONGE STRAP	海绵条	2	
F04-5-13	6KM#-160420-8001	SPONGE MAT	长方形海绵垫	6	
F04-5-14	6WWV-041101-5000-0ET00	LH PANEL, FUEL TANK	油箱左护板	1	TWILIGHT BLUE
F04-5-14	6WWV-041101-5000-0YG00	LH PANEL, FUEL TANK	油箱左护板	1	SANDSTONE YELLOW
F04-5-15	9060-040310	PLASTIC CLIPS	塑料卡组合	2	
F04-5-16	6WWV-046502-5000	STEPPED SCREW M5	M5组合台阶螺钉	2	
F04-5-17	A000-040302	RUBBER DAMPER	油箱外护罩缓冲橡胶	4	
F04-5-18	8080-000001	CLASP	卡扣	2	
F04-5-19	6WWV-041201-5000	UPPER PANEL, FUEL TANK	油箱上护板	1	
F04-5-20	6WWV-041001-5000-0ET00	RH PANEL, FUEL TANK	油箱右护板	1	TWILIGHT BLUE
F04-5-20	6WWV-041001-5000-0YG00	RH PANEL, FUEL TANK	油箱右护板	1	SANDSTONE YELLOW

塑料件VI/PLASTICS VI



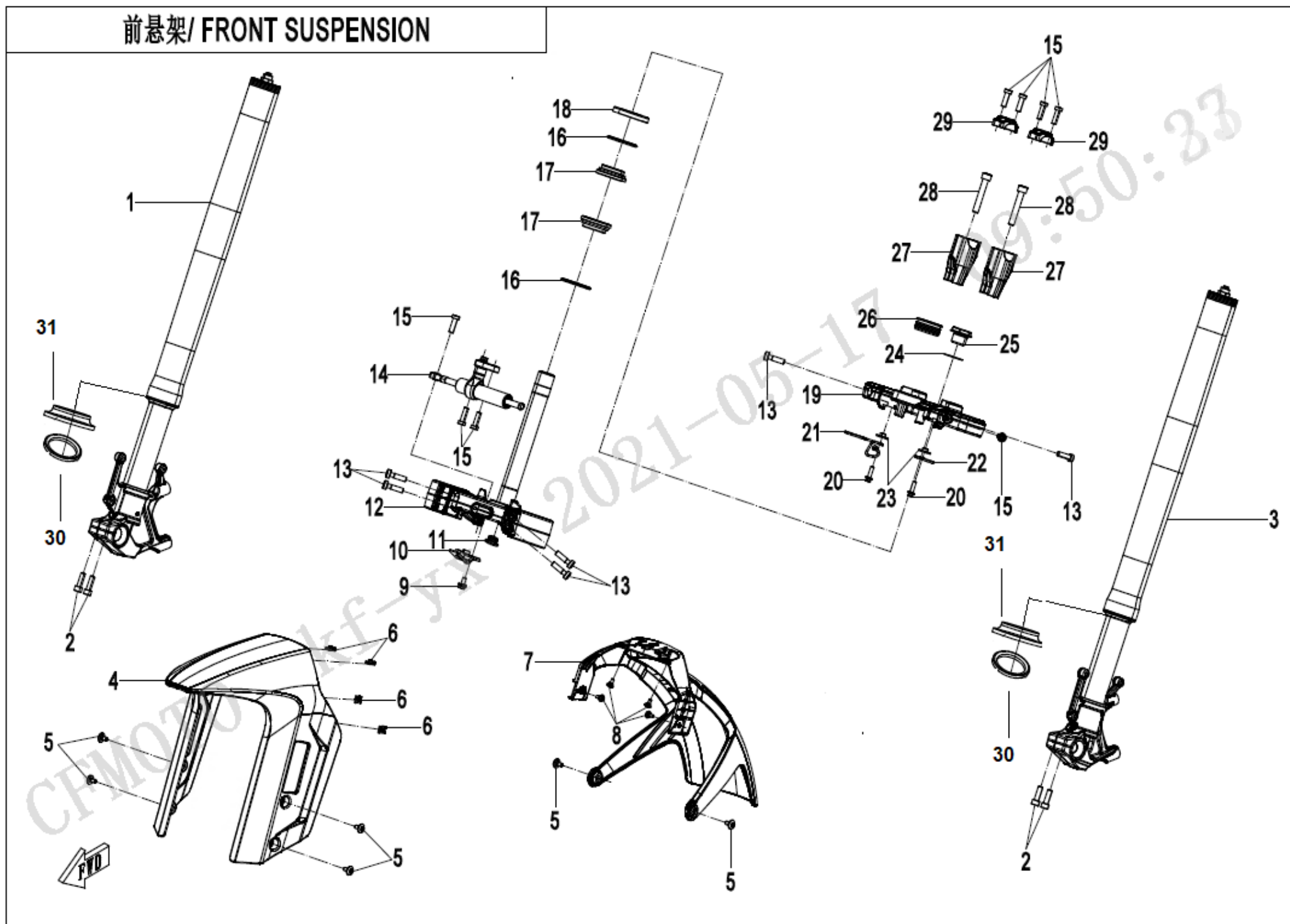
Item No.	Parts Number	Parts Name(EN)	Parts Name(CN)	Qty	Remark(s)
F04-6-1	6WWV-047102-5000	INNER HEX SCREW M5x14	M5x14内六角螺钉	6	
F04-6-2	6WWV-045501-5000	PRESS PLATE, LH CABLE BRACKET	左线缆支架盖板	1	
F04-6-3	6WWV-045101-5000	BRACKET, OXYGEN SENSOR CONNECTOR	氧传感器插件支架	1	
F04-6-4	6WWV-045301-5001	LH CABLE BRACKET	左线缆支架	1	
F04-6-5	6WWV-046502-5000	STEPPED SCREW M5	M5组合台阶螺钉	4	
F04-6-6	6KM#-040081-8000-M1	NUT CLIP M5	M5螺母夹	2	
F04-6-7	6WWV-045201-5000	RH CABLE BRACKET	右线缆支架	1	
F04-6-8	6WWV-045401-5000	PRESS PLATE, RH CABLE BRACKET	右线缆支架盖板	1	
F04-6-9	6WWV-043601-5000	BRACKET, CANISTER	炭罐支架	1	
F04-6-10	6KM#-040066-8001	SPONGE STRAP	海绵条	1	

F04-7塑料件VII/PLASTICS VII



Item No.	Parts Number	Parts Name(EN)	Parts Name(CN)	Qty	Remark(s)
F04-7-1	6WWV-043101-5000-0B800	LH PANEL, TAIL LIGHT	尾灯左护板	1	MERCURY SILVER FOR BLUE BIKE
F04-7-1	6WWV-043101-5000-0G900	LH PANEL, TAIL LIGHT	尾灯左护板	1	TACTICAL GREEN FOR YELLOW BIKE
F04-7-2	8080-041130	PLASTIC SCREW	塑料膨胀螺钉组合	6	
F04-7-3	6WWV-046502-5000	STEPPED SCREW M5	M5组合台阶螺钉	3	
F04-7-4	8080-040064	DAMPER, FRONT FENDER	前围缓冲橡胶套	2	
F04-7-5	6WWV-045801-5000	RUBBER	凸点橡胶	2	
F04-7-6	30110-481130010	SELF-TAPPING SCREW ST4.8x13	自攻螺钉	4	
F04-7-7	6WWV-042501-5001	BASE PLATE, FRAME	车架底板	1	
F04-7-8	8030-040800-00001	NUT CLIP M6	M6螺母夹	4	
F04-7-9	6WWV-046702-5000	INNER HEX SCREW M6x12	M6x12内六角螺钉	2	
F04-7-10	8080-000002	CLIP NUT ST4.8	夹板ST4.8	2	
F04-7-11	30110-481130070	SELF-TAPPING SCREW	自攻螺钉	7	
F04-7-12	6WWV-043001-5000-0B800	RH PANEL, TAIL LIGHT	尾灯右护板	1	MERCURY SILVER FOR BLUE BIKE
F04-7-12	6WWV-043001-5000-0G900	RH PANEL, TAIL LIGHT	尾灯右护板	1	TACTICAL GREEN FOR YELLOW BIKE
F04-7-13	6WWV-045901-5000	RUBBER BUSHING, AUXILIARY RELAY	辅助继电器橡胶护套	1	
F04-7-13	6WWV-045901-5000-10	RUBBER BUSHING, AUXILIARY RELAY	辅助继电器橡胶护套	1	
F04-7-14	6WWV-043401-5000	RUBBER MAT, BATTERY	蓄电池胶垫	1	
F04-7-15	6WWV-043301-5001	BRACKET, ELECTRICAL PARTS	电器安装板	1	
F04-7-16	8080-000002	CLIP NUT ST4.8	夹板ST4.8	5	
F04-7-17	8030-040020-1000	SCREW M6x17.5	音箱盖螺钉M6x17.5	4	
F04-7-18	6WWV-042801-5000	REINFORCEMENT PLATE, REAR FENDER	后挡泥加强板	1	
F04-7-19	8010-090005	BOLT M6x16	螺栓M6x16	4	
F04-7-20	6WWV-042601-5000	REAR FENDER	后挡泥板	1	
F04-7-21	6WWV-042901-5000	UPPER COVER, TAIL LIGHT	尾灯上盖	1	
F04-7-22	8080-000001	CLASP	卡扣	2	
F04-7-23	6WWV-043201-5000	HOOK RUBBER, TAIL LIGHT	尾灯挂钩橡胶	1	
F04-7-24	6WWV-042701-5000	BRACKET, LICENSE LIGHT	牌照灯安装支架	1	
F04-7-25	6WWV-043310-5000	BRACKET, AUXILIARY RELAY	辅助继电器安装板	1	

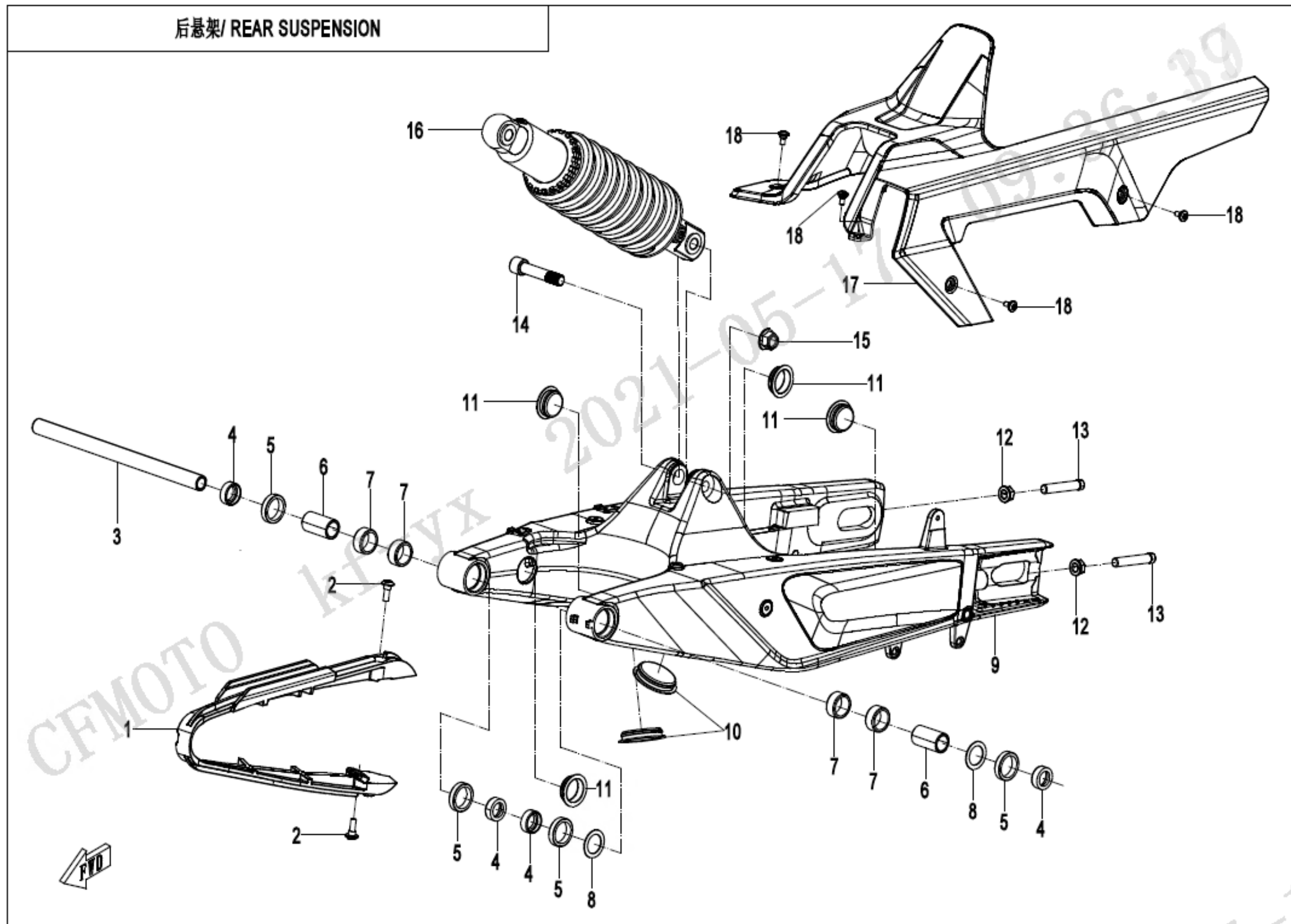
F05 前悬架 FRONT SUSPENSION



Item No.	Parts Number	Parts Name(EN)	Parts Name(CN)	Qty	Remark(s)
F05-1	6WWV-050600-5000-M1	FRONT RH SHOCK ABSORBER	前右减震器	1	
F05-2	30102-080025810	SCREW M8x25	螺钉	4	
F05-3	6WWV-050500-5000-M1	FRONT LH SHOCK ABSORBER	前左减震器	1	

Item No.	Parts Number	Parts Name(EN)	Parts Name(CN)	Qty	Remark(s)
F05-4	6WWV-050006-5000-0B800	FRONT PART, FRONT FENDER	前挡泥板前部_亚光珍珠黑	1	TWILIGHT BLUE
F05-4	6WWV-050006-5000-0YG00	FRONT PART, FRONT FENDER	前挡泥板前部	1	SANDSTONE YELLOW
F05-5	6WWV-046602-5000	INNER HEX STEPPED SCREW M6x14	M6x14内六角台阶螺钉	6	
F05-6	6KM#-040081-8000-M1	NUT CLIP M5	M5螺母夹	4	
F05-7	6WWV-050007-5000	REAR PART, FRONT FENDER	前挡泥板后部	1	
F05-8	6WWV-046502-5000	STEPPED SCREW M5	M5组合台阶螺钉	4	
F05-9	30006-060012870	BOLT M6x12	螺栓	1	
F05-10	6WWV-050200-5000	BRACKET, HORN	喇叭安装支架	1	
F05-11	6L30-050004	PLUG, FRONT FORK	前叉管堵头	1	
F05-12	6WWV-050300-5000	LOWER TRIPLE CLAMP	下联板组件	1	SILVER FOR BLUE BIKE
F05-12	6WWV-050300-5000-10	LOWER TRIPLE CLAMP ASSY	下联板组件	1	BLACK ANODIZED FOR YELLOW BIKE
F05-13	6WWV-050011-5000	INNER HEX SCREW M8x30	内六角圆柱头螺钉M8x30	6	
F05-14	6WWV-050100-5100	STEERING DAMPER	转向阻尼器	1	
F05-15	6WWV-050009-5000	SCREW M8x25	螺钉M8x25	8	
F05-16	6L30-050010	DUST-PROOF RING	防尘圈组件	2	
F05-17	6L30-050200	STEERING BEARING ASSY	转向轴承组合	2	
F05-18	6L30-050003	DUST-PROOF COVER	防尘盖	1	
F05-19	6WWV-050001-5000	UPPER TRIPLE CLAMP	上联板	1	SILVER FOR BLUE BIKE
F05-19	6WWV-050001-5000-10	UPPER TRIPLE CLAMP	上联板	1	BLACK ANODIZED FOR YELLOW BIKE
F05-20	30006-060020870	BOLT M6x20	螺栓	2	
F05-21	6WWV-050402-5000	RH CABLE CLIP	右线束导向夹	1	
F05-22	6WWV-050401-5000	LH CABLE CLIP	左线束导向夹	1	
F05-23	8080-140004	LOCK BUSHING, REAR RACK	后货架锁孔衬套	2	
F05-24	6WWV-050005-5000	WASHER	垫圈	1	
F05-25	6L30-050002	LOCK SCREW, UPPER TRIPLE CLAMP	上联板紧固螺钉	1	
F05-26	6WWV-050004-5000	RUBBER DECO COVER, IGNITION LOCK	点火锁橡胶装饰盖	1	
F05-27	6WWV-050002-5000	BRACKET, HANDLEBAR	方向把支座	2	SILVER FOR BLUE BIKE
F05-27	6WWV-050002-5000-10	SEAT, HANDLEBAR	方向把支座	2	BLACK ANODIZED FOR YELLOW BIKE
F05-28	30102-102060810	SCREW M10x1.25x60	螺钉	2	
F05-29	6WWV-050003-5000	PRESS COVER, HANDLEBAR	方向把压盖	2	SILVER FOR BLUE BIKE
F05-29	6WWV-050003-5000-10	PRESS COVER, HANDLEBAR	方向把压盖	2	BLACK ANODIZED FOR YELLOW BIKE
F05-30	6WWV-050500-5000-24	OIL SEAL	油封	2	
F05-31	6WWV-050500-5000-25	DUST-PROOF CAP	防尘盖	2	

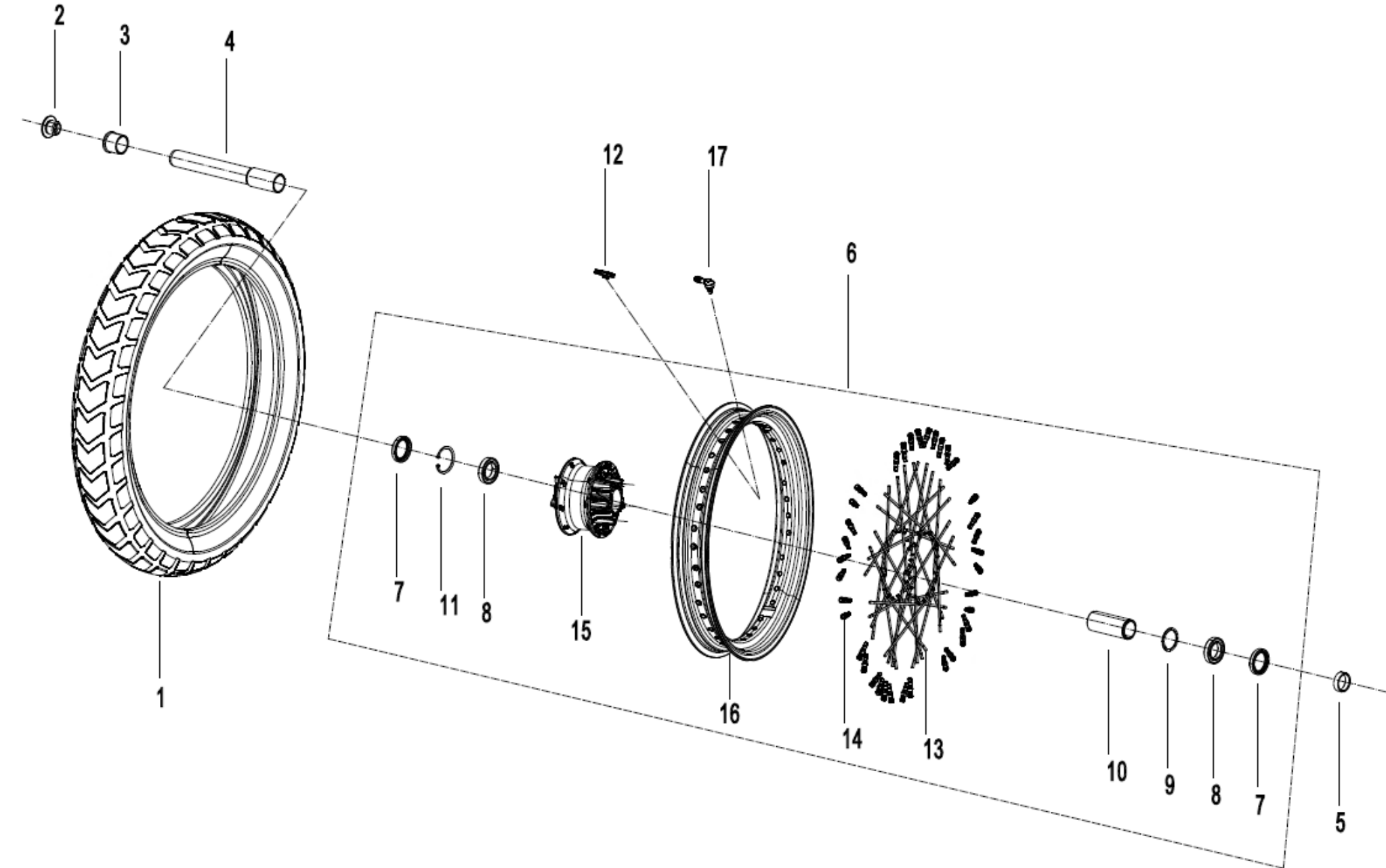
F06 后悬架 REAR SUSPENSION



Item No.	Parts Number	Parts Name(EN)	Parts Name(CN)	Qty	Remark(s)
F06-1	6WWV-060005-5003	CHAIN GUARD	链条护卡	1	
F06-2	6WWV-046602-5000	INNER HEX STEPPED SCREW M6x14	M6x14内六角台阶螺钉	2	
F06-3	6WWV-060001-5000	SHAFT, REAR SWING ARM	后摇臂轴	1	
F06-4	6WWV-060002-5000	BUSHING, REAR SWING ARM	后摇臂衬套	4	
F06-5	6WWV-060030-5000	OIL SEAL	油封	4	
F06-6	6WWV-060003-5000	LINER, REAR SWING ARM	后摇臂衬管	2	
F06-7	30403-02200	NEEDLE BEARING HK2212	滚针轴承HK2212	4	
F06-8	6WWV-060004-5000	WASHER, REAR SWING ARM	后摇臂垫圈	2	
F06-9	6WWV-060301-5004	REAR FORK	后平叉	1	
F06-10	6NT1-060002	DUST CAP, BIG	大防尘盖	2	
F06-11	6NT1-060003	DUST CAP, SMALL	小防尘盖	4	
F06-12	6L30-060013	LOCK NUT, CHAIN ADJUSTER	链条调节器锁紧螺母	2	
F06-13	6L30-060002	ADJUSTABLE BOLT, CHAIN	链条调节螺栓	2	
F06-14	6NT1-060001	BOLT, REAR SHOCK ABSORBER	后减震器安装螺栓	1	
F06-15	30204-122810	NUT M12x1.25	螺母	1	
F06-16	6WWV-060100-5001-M1	REAR_SHOCK_ABSORBER	后减震器	1	
F06-17	6WWV-060008-5000	CHAIN COVER (SET)	链条护	1	Included Sprocket Cover (6WWV-060005-5003 + 6WWV-060008-5001)
	6WWV-060008-5001	SPROCKET COVER		1	
F06-18	6WWV-046502-5000	STEPPED SCREW M5	M5组合台阶螺钉	4	

F07-B 前轮 FRONT WHEEL

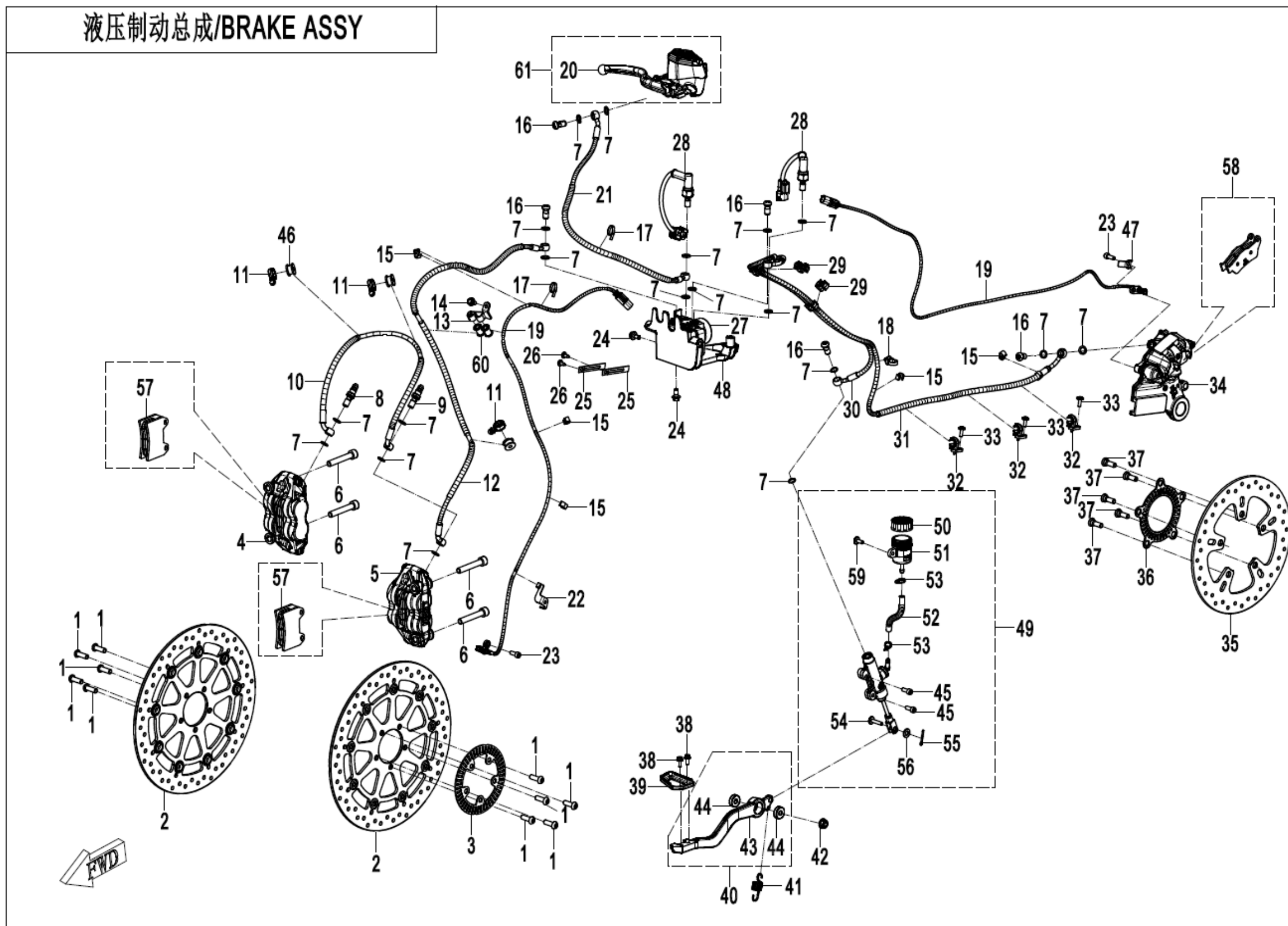
前轮/FRONT WHEEL



Item No.	Parts Number	Parts Name(EN)	Parts Name(CN)	Qty	Remark(s)
F07-B-1	30705-1901	TIRE	轮胎	1	
F07-B-2	6L30-070004	LOCK SCREW, FRONT AXLE	前轮轴紧固螺钉	1	
F07-B-3	6WWV-070002-5000	RH BUSHING, FRONT WHEEL	前轮右衬套	1	
F07-B-4	6WWV-070001-5000	FRONT WHEEL SHAFT	前轮轴	1	
F07-B-5	6WWV-070003-5000	LH BUSHING, FRONT WHEEL	前轮左衬套	1	
F07-B-6	6WWV-070100-5002	FRONT RIM ASSY	前轮辋组合	1	GOLD FOR BLUE BIKE
F07-B-6	6WWV-070100-5002-10	FRONT RIM ASSY	前轮辋组合	1	BLACK FOR YELLOW BIKE
F07-B-7	6WWV-070100-5000-21	OIL SEAL	油封	2	
F07-B-8	6WWV-070100-5000-22	BEARING	轴承	2	
F07-B-9	6WWV-070105-5000	WASHER	拖圈	1	
F07-B-10	6WWV-070104-5000	CORE SHAFT	芯轴	1	
F07-B-11	30800-04705	CIRCLIP FOR HOLE 47	孔用弹性挡圈47	1	
F07-B-12	FA7V-150850-1101	TIRE PRESSURE SENSOR	胎压传感器	1	
F07-B-13	6WWV-070103-5000	SPOKE	辐条	36	
F07-B-14	6WWV-070100-5000-20	CAP	条帽	36	
F07-B-15	6WWV-070102-5000	FRONT WHEEL MIDDLE HUB	前轮中鼓	1	
F07-B-16	6WWV-070101-5001	FRONT WHEEL	前轮圈	1	GOLD FOR BLUE BIKE
F07-B-16	6WWV-070101-5001-10	FRONT WHEEL	前轮圈	1	BLACK FOR YELLOW BIKE
F07-B-17	6WWV-070300-5000-M1	VALVE, INFLATION	气门嘴	1	

F08 制动器总成 BRAKE SYSTEM

液压制动总成/BRAKE ASSY

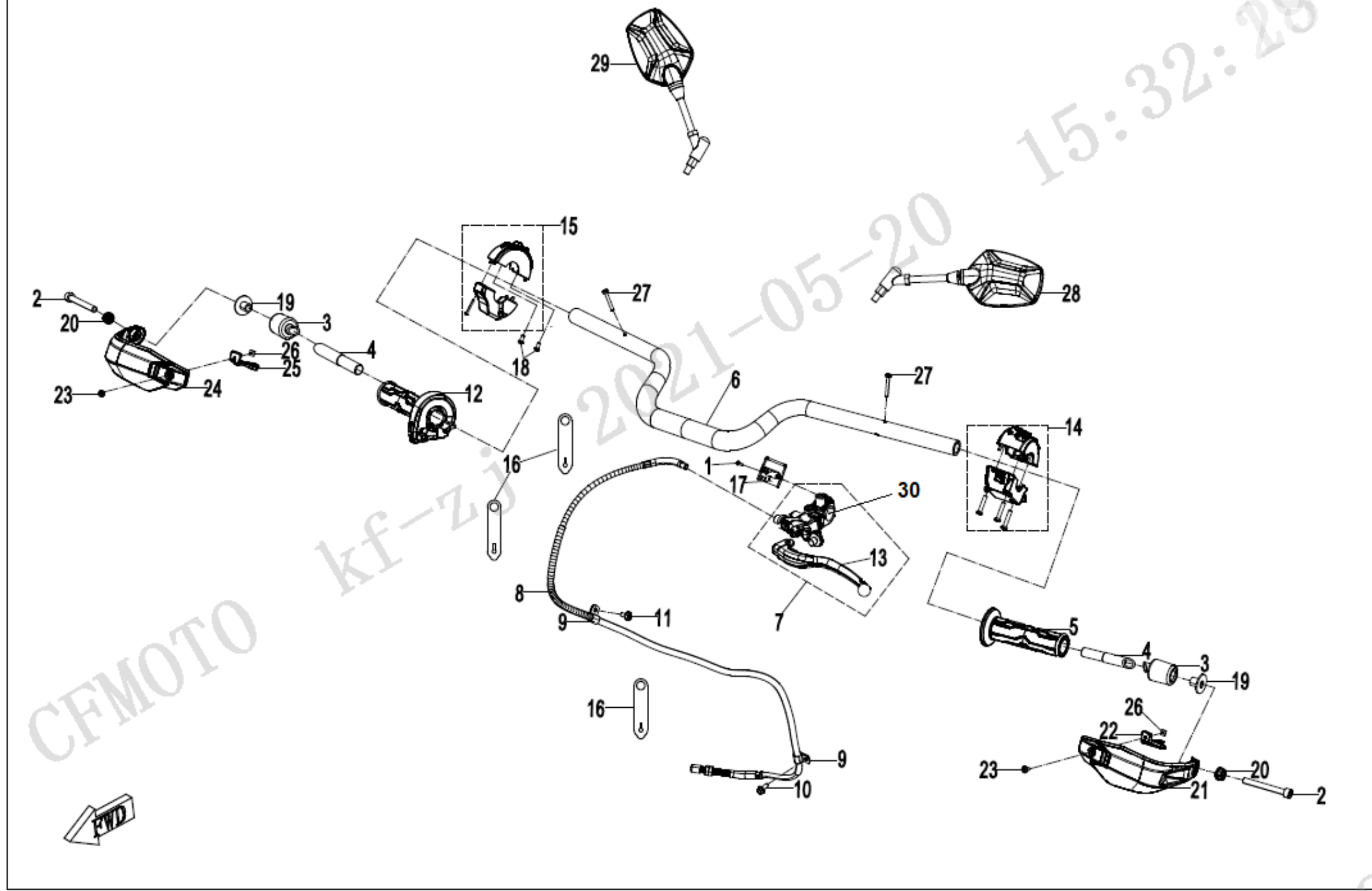


Item No.	Parts Number	Parts Name(EN)	Parts Name(CN)	Qty	Remark(s)
F08-1	6GUV-080001-7000	SCREW	螺钉	10	
F08-2	6L30-080010	FRONT BRAKE DISC ASSY	前制动盘组合	2	
F08-3	6L30-080003	GEAR RING, FRONT WHEEL	前轮齿圈	1	
F08-4	6WWV-081200-5001	FRONT RH BRAKE CALIPER	前右制动钳体组合	1	BLACK FOR BLUE BIKE
F08-4	6WWV-081200-5000-10	FRONT BRAKE CALIPER, RH	前右制动钳体组合	1	SILVER FOR YELLOW BIKE
F08-5	6GUV-081100-6001	FRONT LH BRAKE CALIPER ASSY	前左制动钳体组合	1	BLACK FOR BLUE BIKE
F08-5	6GUV-081100-6000-10	FRONT BRAKE CALIPER, LH	前左制动钳体组合	1	SILVER FOR YELLOW BIKE
F08-6	30102-102060810	SCREW M10x1.25x60	螺钉	4	
F08-7	A000-080102-2000	WASHER	垫圈	19	
F08-8	6GU#-081000-6000-22	BANJO BOLT 1	过油螺栓1	1	
F08-9	6WWV-080006-5001-M1	BANJO BOLT, LONG	长过油螺栓	1	
F08-10	6WWV-081030-5000-M1	LOWER FLUID HOSE, FRONT BRAKE	前制动下油管组合	1	
F08-11	A000-050015	WIRE CLIP, FRONT BRAKE FLUID HOSE	前制动油管夹	3	
F08-12	6WWV-081020-5000-M1	FLUID INLET PIPE, FRONT BRAKE	前制动进油管	1	
F08-13	6WWV-080003-5000	WIRE CLIP 1, FRONT BRAKE FLUID HOSE	前制动油管线夹 I	1	
F08-14	30006-060010810	BOLT M6x10	螺栓	1	
F08-15	6KJ0-080003-00001	CLIP, BRAKE HOSE	制动油管卡	5	
F08-16	6GU#-081000-6000-23	BANJO BOLT2	过油螺栓II	5	
F08-17	8010-150003	TIE BAND	扎带	2	
F08-18	801F-100101	TIE BAND	扎带	1	
F08-19	6L30-080020	SPEED SENSOR, FRONT WHEEL	前轮车速传感器	2	
F08-20	6GU#-080110-6000-39	LEVER	手柄	1	
F08-21	6WWV-081010-5000-M1	FRONT BRAKE FLUID OUTLET HOSE	前制动出油管	1	
F08-22	6WWV-080007-5000	WIRE CLIP, RPM SENSOR	轮速传感器线束固定线夹	1	
F08-23	30102-060016810	SCREW	螺钉	2	
F08-24	8010-000004	BOLT M6x14	凸缘螺栓M6x14	2	
F08-25	0180-014010	WIRE CLAMP	线夹组合	2	
F08-26	30118-480130010	SELF-TAPPING SCREW ST4.8x13	自攻螺钉	2	
F08-27	6WWV-081400-5000	MSC CONTROLLER	MSC控制器	1	
F08-28	6GU#-080010-6003	HYDRAULIC INDUCTION SWITCH	双路液压感应开关	2	
F08-29	6L30-080006	WIRE CLIP 2, BRAKE FLUID HOSE	制动油管线夹II	2	
F08-30	6WWV-081050-5000-M1	FLUID OUTLET PIPE, REAR BRAKE	后制动出油管	1	
F08-31	6WWV-081040-5000-M1	REAR BRAKE FLUID OUTLET HOSE	后制动进油管	1	

Item No.	Parts Number	Parts Name(EN)	Parts Name(CN)	Qty	Remark(s)
F08-32	6L30-080005	WIRE CLIP 1, BRAKE FLUID HOSE	制动油管线夹I	3	
F08-33	6WWV-047102-5000	INNER HEX SCREW M5x14	M5x14内六角螺钉	3	
F08-34	6WWV-081600-5002	REAR BRAKE CALIPER	后制动钳体组合	1	BLACK FOR BLUE BIKE
F08-34	6WWV-081600-5000-10	REAR BRAKE CALIPER	后制动钳体组合	1	SILVER FOR YELLOW BIKE
F08-35	6GU#-090001-6000-M1	REAR BRAKE DISC	后制动盘	1	
F08-36	6GU#-090002-6001	REAR GEAR RING	后齿圈	1	
F08-37	A000-080001	SCREW	螺钉	5	
F08-38	30006-050012870	BOLT	螺栓	2	
F08-39	6WWV-081402-5000	FOOTREST BRACKET	脚踏支架	1	
F08-40	6WWV-081401-5000	REAR BRAKE PEDAL	后制动踏杆组合	1	
F08-41	6WWV-080005-5000	RETURN SPRING	回位弹簧	1	
F08-42	30204-080810	NUT M8	螺母	1	
F08-43	6WWV-081401-5000-20	REAR BRAKE PEDAL	后制动踏杆	1	
F08-44	30400-00880	BEARING 8x22x7	滚动轴承	2	
F08-45	30102-060022810	SCREW M6x22	螺钉	2	
F08-46	6KM#-080002-8000	RUBBER OIL HOSE CLIP	橡胶油管线夹	1	
F08-47	6WWV-080002-5000	WIRE CLIP, REAR SPEED SENSOR	后轮速传感器固定线夹	1	
F08-48	6WWV-080009-5000	ABS NYLON BRACKET	ABS尼龙支架	1	
F08-49	6WWV-081300-5000	REAR BRAKE MASTER CYLINDER ASSY	后刹主泵总成	1	
F08-50	6WWV-081300-5000-22	CAP, BRAKE FLUID RESERVOIR	油杯盖	1	
F08-51	6KM0-091204	FLUID RESERVOIR	油杯体	1	
F08-52	6WWV-081300-5000-21	FLUID RESERVOIR HOSE	油杯管	1	
F08-53	6GU#-081300-6000-24	CLIP, FUEL HOSE	油管夹	2	
F08-54	A000-080216-2000	PIN SHAFT	销轴	1	
F08-55	A000-080233-2000	PIN	销	1	
F08-56	A000-080234-2000	WASHER 8	垫圈8	1	
F08-57	6GU#-0811A0-6000	FRONT BRAKE PAD ASSY	前制动片组合	2	
F08-58	6WWV-0816A0-5000	REAR BRAKE PAD ASSY	后制动片组合	1	
F08-59	6WWV-046802-5000	INNER HEX SCREW M6x16	M6x16内六角螺钉	1	
F08-60	6KM#-080003-8100	RUBBER OIL HOSE CLIP 1	橡胶油管线夹 I	1	
F08-61	6WWV-080110-5000	MASTER CYLINDER, FRONT BRAKE	前制动泵组合	1	

F10-B 转向系统 STEERING SYSTEM

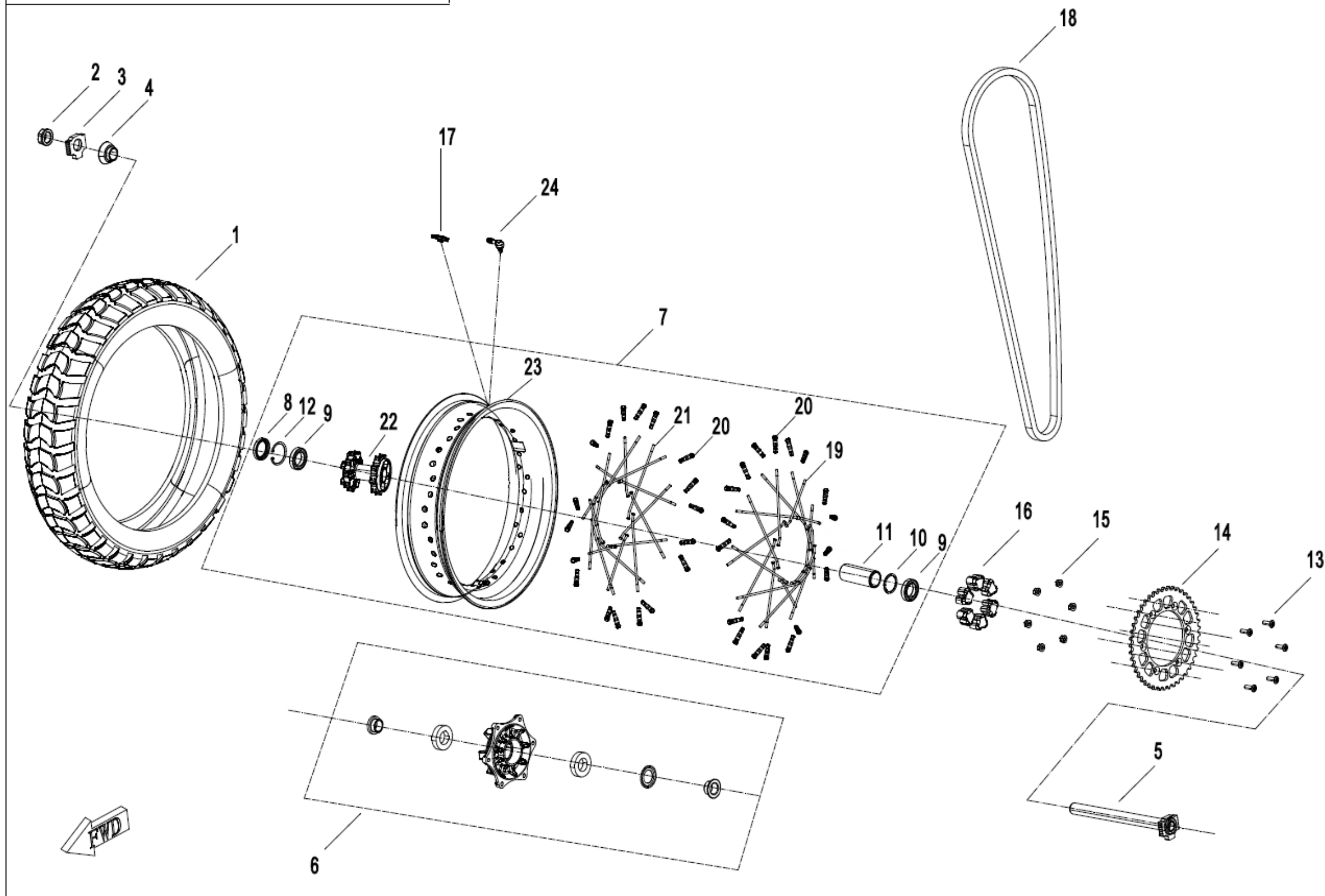
转向系统/ STEERING SYSTEM



Item No.	Parts Number	Parts Name(EN)	Parts Name(CN)	Qty	Remark(s)
F10-B-1	30105-040008470	SCREW	螺钉	1	
F10-B-2	30102-080070810	SCREW M8x70	螺钉	2	
F10-B-3	6WWV-100001-5000	BALANCER	平衡块	2	
F10-B-4	6WWV-100304-5000	BALANCING WEIGHT	配重块	2	
F10-B-5	6L30-100010-10000	LH GRIP ASSY	左握把组件	1	
F10-B-6	6WWV-100100-5001	HANDLEBAR PIPE	方向把管	1	BLACK FOR BLUE BIKE
F10-B-6	6WWV-100100-5000-10	HANDLEBAR PIPE	方向把管	1	SILVER FOR YELLOW BIKE
F10-B-7	6WWV-100200-5002	CLUTCH LEVER ASSY	离合手柄组合	1	
F10-B-8	6WWV-100600-5000	CLUTCH CABLE	离合器拉索	1	
F10-B-9	6WWV-100800-5000	WIRE CLIP, CLUTCH CABLE	离合拉索线夹	2	
F10-B-10	30006-050012810	BOLT M5x12	螺栓	1	
F10-B-11	6WWV-047102-5000	INNER HEX SCREW M5x14	M5x14内六角螺钉	1	
F10-B-12	6L30-100020-10000	ELECTRICAL THROTTLE ASSY	电子油门组件	1	
F10-B-13	6WWV-100201-5000	CLUTCH LEVER	离合手柄	1	
F10-B-14	6WWV-166000-5100	HANDLEBAR SWITCH, LH	左手把开关总成	1	
F10-B-15	6WWV-167000-5700	HANDLEBAR SWITCH ASSY, RH	右手把开关总成	1	
F10-B-16	6KJ0-100002	TIE BAND, CLUTCH	离合器拉索绑带	3	
F10-B-17	6WWV-160800-5000	FRONT FOG LIGHT SWITCH	前雾灯开关	1	
F10-B-18	30137-250120010	SCREW	螺钉	2	
F10-B-19	A000-180010-20000	BUSHING, RADIATOR DAMPER	散热器减震胶垫II衬套	2	
F10-B-20	6NT1-100001	BUSHING, HAND GUARD	护手罩衬套	2	
F10-B-21	6WWV-044301-5000	LH HAND GUARD	左护手罩	1	
F10-B-22	6WWV-044501-5000	BRACKET, LH HAND GUARD	左护手罩支架	1	
F10-B-23	6WWV-046502-5000	STEPPED SCREW M5	M5组合台阶螺钉	2	
F10-B-24	6WWV-044401-5000	RH HAND GUARD	右护手罩	1	
F10-B-25	6WWV-044601-5000	BRACKET, RH HAND GUARD	右护手罩支架	1	
F10-B-26	6KJ0-040402	NUT M5	方形螺母M5	2	
F10-B-27	30105-040030410	SCREW M4x30	螺钉	2	
F10-B-28	6WWV-200300-5001	LH REAR VIEW MIRROR ASSY	左后视镜总成	1	
F10-B-29	6WWV-200400-5001	RH REAR VIEW MIRROR ASSY	右后视镜总成	1	
F10-B-30	6GUV-100200-7002-20	SWITCH KIT	开关组件	1	

F11-B 后轮 REAR WHEEL

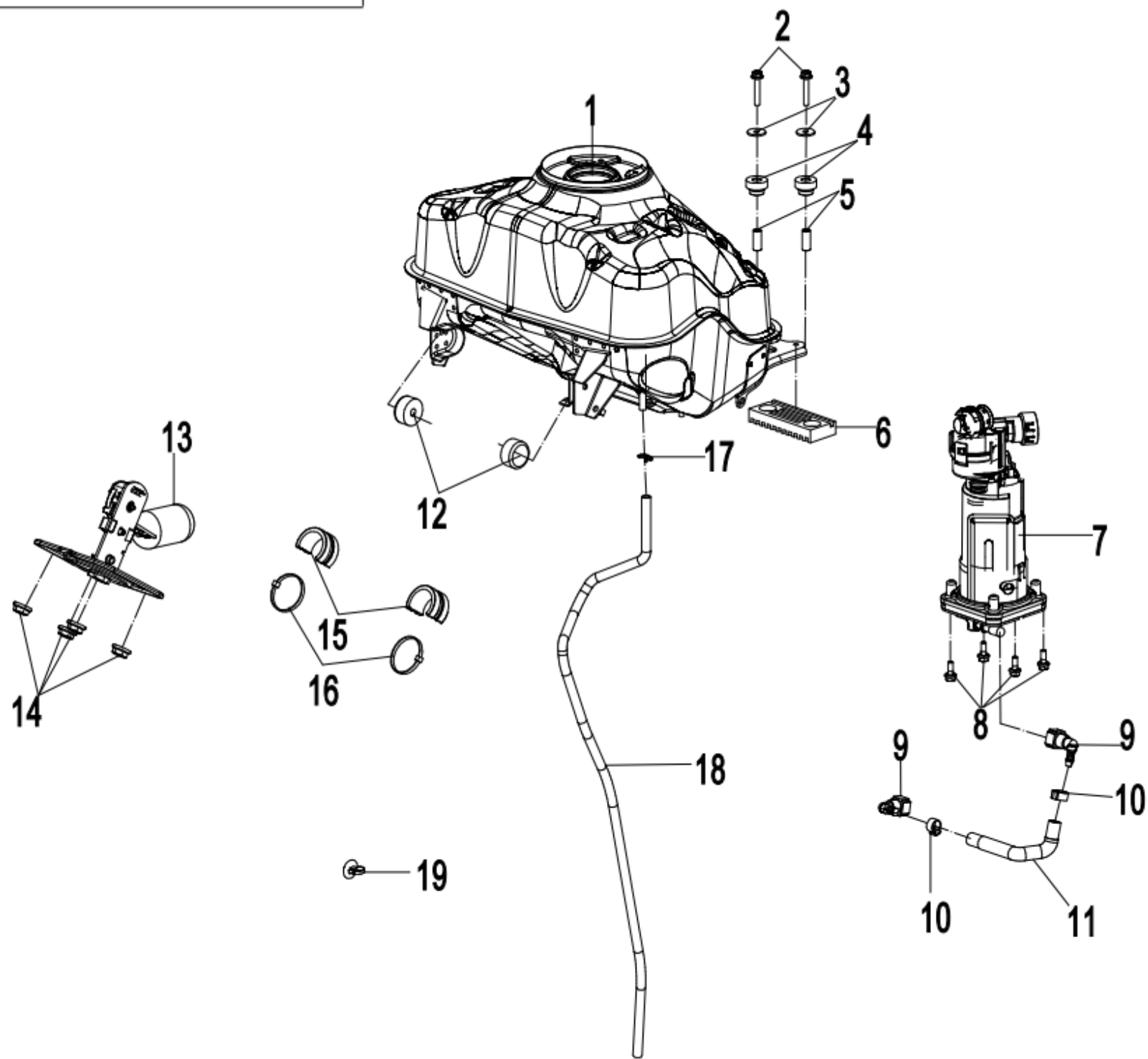
后轮/REAR WHEEL



Item No.	Parts Number	Parts Name(EN)	Parts Name(CN)	Qty	Remark(s)
F11-B-1	30705-1746	TIRE	轮胎	1	
F11-B-2	6WWV-110001-5000	NUT, REAR WHEEL SHAFT	后轮轴螺母	1	
F11-B-3	6WWV-110002-5000	RH CHAIN ADJUSTING BLOCK	右链条调节块	1	
F11-B-4	6WWV-110006-5000	RH BUSHING, REAR WHEEL	后轮右衬套	1	
F11-B-5	6WWV-110400-5000	REAR WHEEL SHAFT ASSY	后轮轴组件	1	
F11-B-6	6WWV-110300-5000	SEAT, SPROCKET	链轮座组件	1	
F11-B-7	6WWV-110100-5002	REAR RIM ASSY	后轮辋组合	1	GOLD FOR BLUE BIKE
F11-B-7	6WWV-110100-5002-10	REAR RIM ASSY	后轮辋组合	1	BLACK FOR YELLOW BIKE
F11-B-8	6WWV-110100-5000-21	OIL SEAL	油封	1	
F11-B-9	6WWV-110100-5000-22	BEARING	轴承	2	
F11-B-10	6WWV-110106-5000	WASHER	拖圈	1	
F11-B-11	6WWV-110105-5000	CORE SHAFT	芯轴	1	
F11-B-12	30800-04705	CIRCLIP FOR HOLE 47	孔用弹性挡圈47	1	
F11-B-13	6WWV-110004-5001	SUNK_SCREW_M8x28	花形半沉头螺钉M8X28	6	
F11-B-14	6WWV-110005-5000	REAR SPROCKET	后链轮	1	
F11-B-15	30204-080810	NUT M8	螺母	6	
F11-B-16	6L30-110003	DAMPER, SPROCKET	链轮缓冲块	6	
F11-B-17	FA7V-150850-1101	TIRE PRESSURE SENSOR	胎压传感器	1	
F11-B-18	3120929	CHAIN	链条	1	
F11-B-19	6WWV-110103-5000	DRIVE SIDE SPOKE	传动侧辐条	18	
F11-B-20	6WWV-110100-5000-20	CAP	条帽	36	
F11-B-21	6WWV-110104-5000	BRAKE SIDE SPOKE	制动侧辐条	18	
F11-B-22	6WWV-110102-5000	REAR WHEEL MIDDLE HUB	后轮中鼓	1	
F11-B-23	6WWV-110101-5001	REAR WHEEL	后轮圈	1	GOLD FOR BLUE BIKE
F11-B-23	6WWV-110101-5001-10	REAR WHEEL	后轮圈	1	BLACK FOR YELLOW BIKE
F11-B-24	6WWV-070300-5000-M1	VALVE, INFLATION	气门嘴	1	

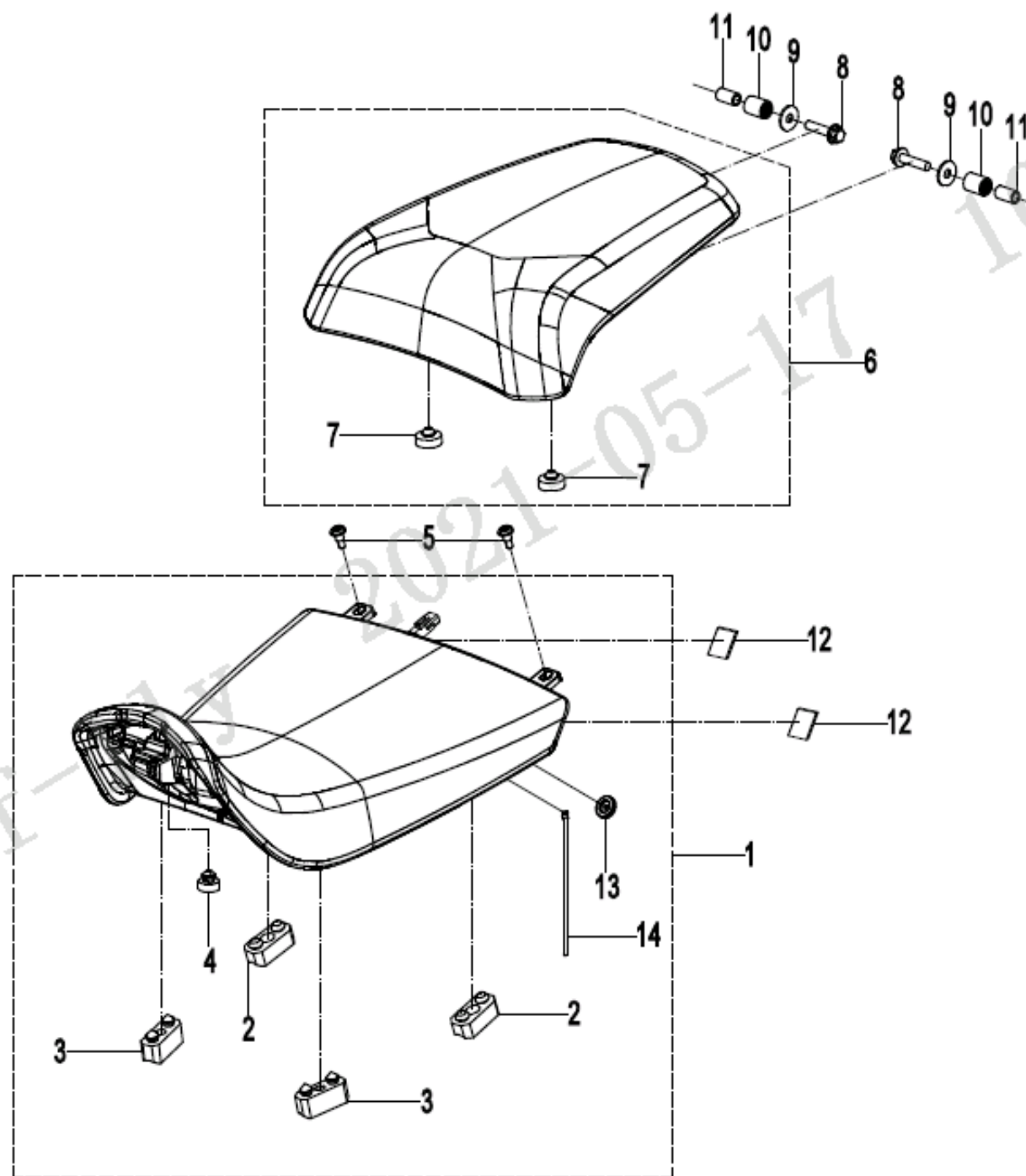
F12 油箱 FUEL TANK

F12油箱/FUEL TANK



Item No.	Parts Number	Parts Name(EN)	Parts Name(CN)	Qty	Remark(s)
F12-1	6WWV-121000-5000	FUEL TANK ASSY	油箱焊接组合	1	
F12-2	30006-060035810	BOLT M6x35	螺栓	2	
F12-3	30301-060412	WASHER M6	垫圈	2	
F12-4	6NQ#-120004-6000	CUSHION RUBBER WAHSER	缓冲橡胶垫	2	
F12-5	6NQ#-120002-6000	MOUNTING BUSHING	安装衬套	2	
F12-6	6NQ#-120003-6000	RUBBER DAMPER BLOCK	缓冲橡胶垫块	1	
F12-7	6L30-150900	FUEL PUMP	燃油泵	1	
F12-8	30006-060016870	BOLT M6x16	螺栓	4	
F12-9	6090-120210	QUICK JOINT	快速接头	2	
F12-10	7020-120006	CLAMP Dia 16.6	单耳无级环箍(Φ16.6)	2	
F12-11	6WWV-120010-5000	HIGH-PRESSURE FUEL HOSE ASSY	高压油管组合	1	
F12-12	A000-120006	CUSHION MAT, FRONT FUEL TANK	油箱前侧缓冲垫	2	
F12-13	6WWV-170200-5001	FUEL LEVEL SENSOR	油位传感器	1	
F12-14	30204-060810	NUT M6	螺母	4	
F12-15	6L30-120001	SIDE RUBBER SLEEVE, FUEL TANK	油箱侧胶套	2	
F12-16	8010-150003	TIE BAND	扎带	2	
F12-17	30204-060810	NUT M6	螺母	4	
F12-18	6NQ0-120001	FUEL PIPE, FUEL TANK	油箱漏油管	1	
F12-19	7030-150005	TIE BAND	扎带	1	

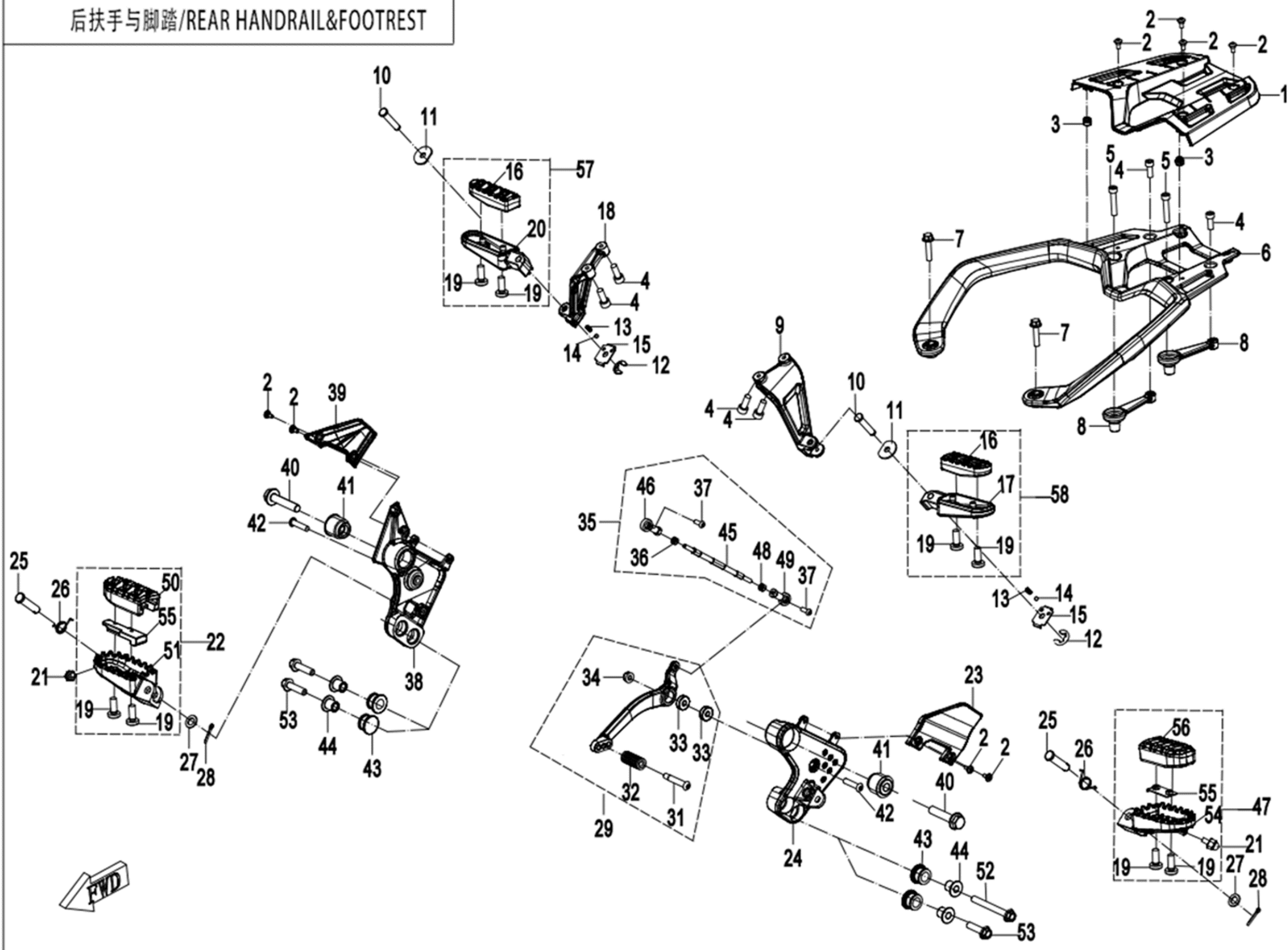
座垫总成/SEAT ASSY



Item No.	Parts Number	Parts Name(EN)	Parts Name(CN)	Qty	Remark(s)
F13-B-1	6WWV-130100-5101-11	FRONT HEATED SEAT ASSY	前加热座垫总成	1	TWILIGHT BLUE
F13-B-1	6WWV-130100-5901	FRONT HEATED SEAT ASSY	前加热座垫总成	1	SANDSTONE YELLOW
F13-B-2	6WWV-130101-5000	CUSHION RUBBER WASHER	缓冲橡胶垫	2	
F13-B-3	6WWV-130102-5000	CUSHION RUBBER WASHER	缓冲橡胶垫	2	
F13-B-4	6KJ0-130204	RUBBER DAMPER	缓冲橡胶垫	1	
F13-B-5	6NQ#-000202-6001	BOLT	凸台螺栓	2	
F13-B-6	6WWV-130200-5100	REAR SEAT ASSY	后座垫总成	1	TWILIGHT BLUE
F13-B-6	6WWV-130200-5900	REAR SEAT ASSY	后座垫总成	1	SANDSTONE YELLOW
F13-B-7	6KM0-130205	RUBBER	缓冲橡胶垫	2	
F13-B-8	30006-080035810	BOLT M8x35	螺栓	2	
F13-B-9	30305-080112	WASHER M8	垫圈	2	
F13-B-10	6WWV-130202-5000	FRONT RUBBER SLEEVE, REAR SEAT	后座垫前安装橡胶套	2	
F13-B-11	6WWV-130201-5000	FRONT SPACER, REAR SEAT	后座垫前安装隔套	2	
F13-B-12	6KM#-160420-8001	SPONGE MAT	长方形海绵垫	2	
F13-B-13	6WWV-130102-5100	RUBBER SLEEVE	工字型橡胶套	1	
F13-B-14	8010-150003	TIE BAND	扎带	1	

F14 脚踏与后扶手 FOOTREST & REAR HANDRAIL

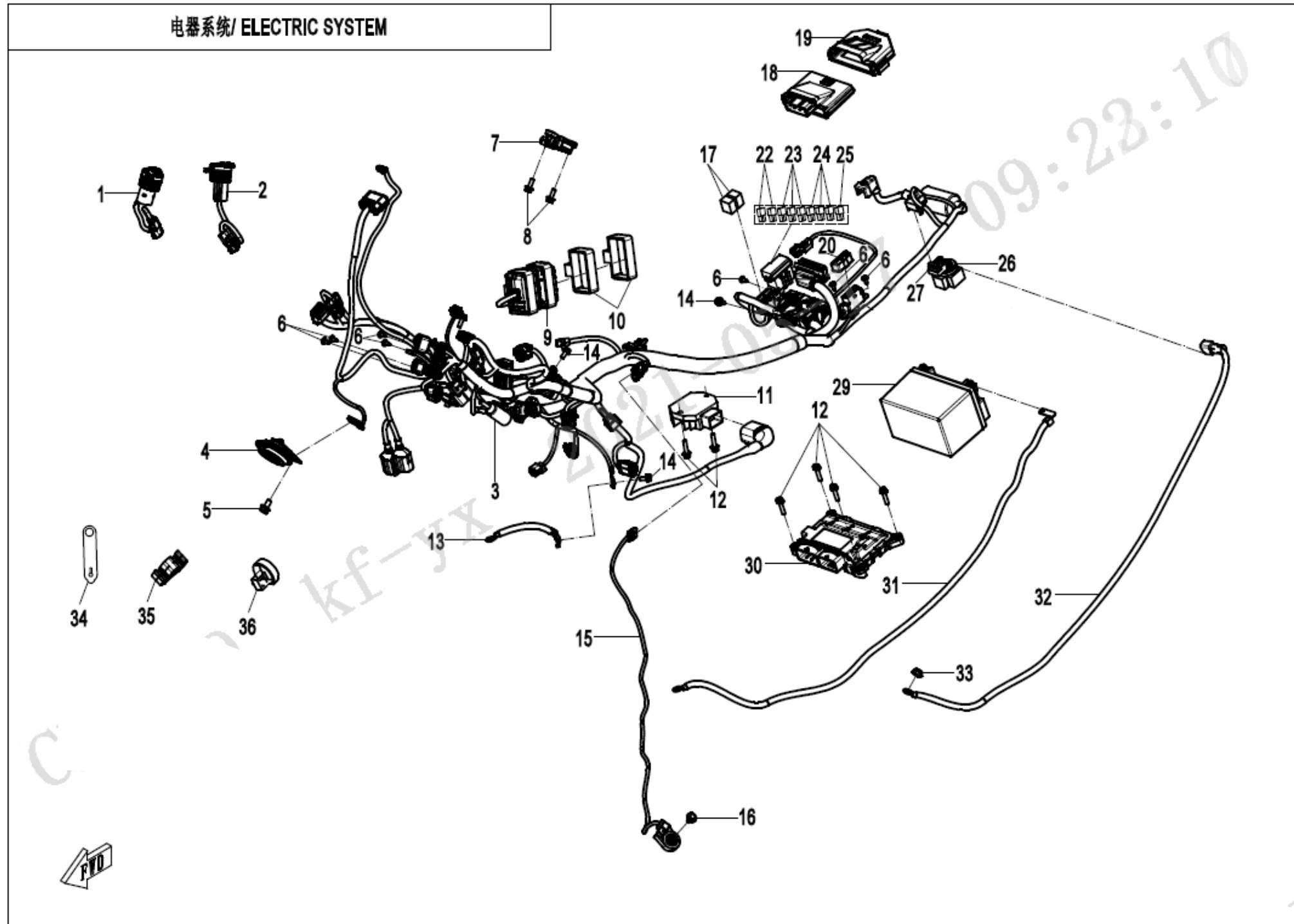
后扶手与脚踏/REAR HANDRAIL&FOOTREST



Item No.	Parts Number	Parts Name(EN)	Parts Name(CN)	Qty	Remark(s)
F14-1	6WWV-140008-5000	DECO COVER, REAR ARMREST	后扶手装饰盖板	1	
F14-2	6WWV-046502-5000	STEPPED SCREW M5	M5组合台阶螺钉	8	
F14-3	6WWV-045801-5000	RUBBER	凸点橡胶	2	
F14-4	30102-080020810	SCREW M8x20	螺钉	6	
F14-5	30102-080040810	SCREW M8x40	螺钉	2	
F14-6	6WWV-140003-5000-0VQ00	REAR ARMREST	后扶手	1	
F14-7	30006-080035810	BOLT M8x35	螺栓	2	
F14-8	6WWV-140004-5000	BRACKET, REAR ARMREST	后扶手支架	2	
F14-9	6WWV-140001-5000	BRACKET, LH REAR FOOTREST	左后脚蹬支架	1	
F14-10	A000-140142	PIN SHAFT Dia 8	销轴φ8	2	
F14-11	A000-140106	LOCATING GASKET 2	定位垫片II	2	
F14-12	30802-00605	CIRCLIP 6	开口挡圈6	2	
F14-13	5190-037813	SPRING	弹簧	2	
F14-14	5190-037814	STEEL BALL	钢珠	2	
F14-15	A000-140104	LOCATING GASKET 1	定位垫片I	2	
F14-16	6GU#-140080-6000	RUBBER, REAR FOOTREST BOARD	后脚蹬胶皮组件	2	
F14-17	6GU#-140041-6000-0BP00	LH REAR FOOTREST BOARD	左后脚蹬座	1	
F14-18	6WWV-140002-5000	BRACKET, RH REAR FOOTREST	右后脚蹬支架	1	
F14-19	30105-050014470	SCREW	螺钉	8	
F14-20	6GU#-140051-6000-0BP00	RH REAR FOOTREST BOARD	右后脚蹬座	1	
F14-21	6GU#-140202-6000	LIMIT BOLT	限位螺钉	2	
F14-22	6WWV-140300-5000	RH FRONT FOOTREST SEAT ASSY	右前脚蹬座组件	1	
F14-23	6WWV-140102-5000	PANEL, LH FRONT FOOTREST BRACKET	左前脚蹬支架护板	1	
F14-24	6WWV-140100-5001	BRACKET, LH FRONT FOOTREST	左前脚蹬支架组件	1	
F14-25	6WWV-140141-5000	PIN SHAFT	销轴	2	
F14-26	A000-140103-20000	SPRING	扭簧	2	
F14-27	30300-100112	WASHER	垫圈	2	
F14-28	30903-0322210	COTTER PIN 3.2x22	开口销	2	
F14-29	6WWV-140110-5000	PEDAL ASSY, GEARSHIFT ROD	变档杆踏板组合	1	
F14-31	6NQ#-140104-6002	BOLT, PEDAL	踏杆螺栓	1	
F14-32	6GUV-140101-6000	RUBBER SLEEVE, PEDAL	踏杆胶套	1	
F14-33	30400-00880	BEARING 8x22x7	滚动轴承	2	

Item No.	Parts Number	Parts Name(EN)	Parts Name(CN)	Qty	Remark(s)
F14-34	30204-080810	NUT M8	螺母	1	
F14-35	6WWV-140120-5000	CONNECTING PART, GEARSHIFT ROD	变档杆连接组件	1	
F14-36	30200-060810	NUT M6	螺母	1	
F14-37	30121-060016700	SCREW M6x16	螺钉	2	
F14-38	6WWV-140200-5000	BRACKET, RH FRONT FOOTREST	右前脚踏支架组件	1	
F14-39	6WWV-140202-5000	PANEL, RH FRONT FOOTREST BRACKET	右前脚踏支架护板	1	
F14-40	6WWV-030018-5000	BOLT M12x60	螺栓 M12X60	2	
F14-41	6WWV-140050-5000	RUBBER SLEEVE	硫化橡胶衬套	2	
F14-42	30121-080035860	SCREW M8x35	螺钉	2	
F14-43	6WWV-140401-5000	DAMPER	台阶减震垫	4	
F14-44	6WWV-140405-5000	BUSHING	衬套	4	
F14-45	6WWV-140121-5000	CONNECTING ROD	连杆	1	
F14-46	6GU#-140140-6001	BEARING	关节轴承	1	
F14-47	6GUV-140220-6002	LH FRONT FOOTREST SEAT	左前脚踏座组件	1	
F14-48	30200-060810	NUT M6	螺母	1	
F14-49	6GU#-140160-6001	BEARING	关节轴承	1	
F14-50	6GU#-140206-6000	RH FRONT FOOTREST RUBBER	右前脚踏胶皮	1	
F14-51	6WWV-140302-5000	RH FRONT FOOTREST SEAT	右前脚踏座	1	
F14-52	6WWV-140009-5000	BOLT M10x87	螺栓M10x87	1	
F14-53	30006-102035860	BOLT	螺栓	3	
F14-54	6WWV-140301-5000	LH FRONT FOOTREST SEAT	左前脚踏座	1	
F14-55	6GU#-140207-6000	BALANCING WEIGHT	配重块	2	
F14-56	6GU#-140205-6000	LH FRONT FOOTREST RUBBER	左前脚踏胶皮	1	
F14-57	6GU#-1400B0-6000-0BP00	RUBBER, RH REAR FOOTREST BOARD	右后脚踏组件_莫德灵黑	1	
F14-58	6GU#-1400A0-6000-0BP00	RUBBER, LH REAR FOOTREST BOARD	左后脚踏组件_莫德灵黑	1	

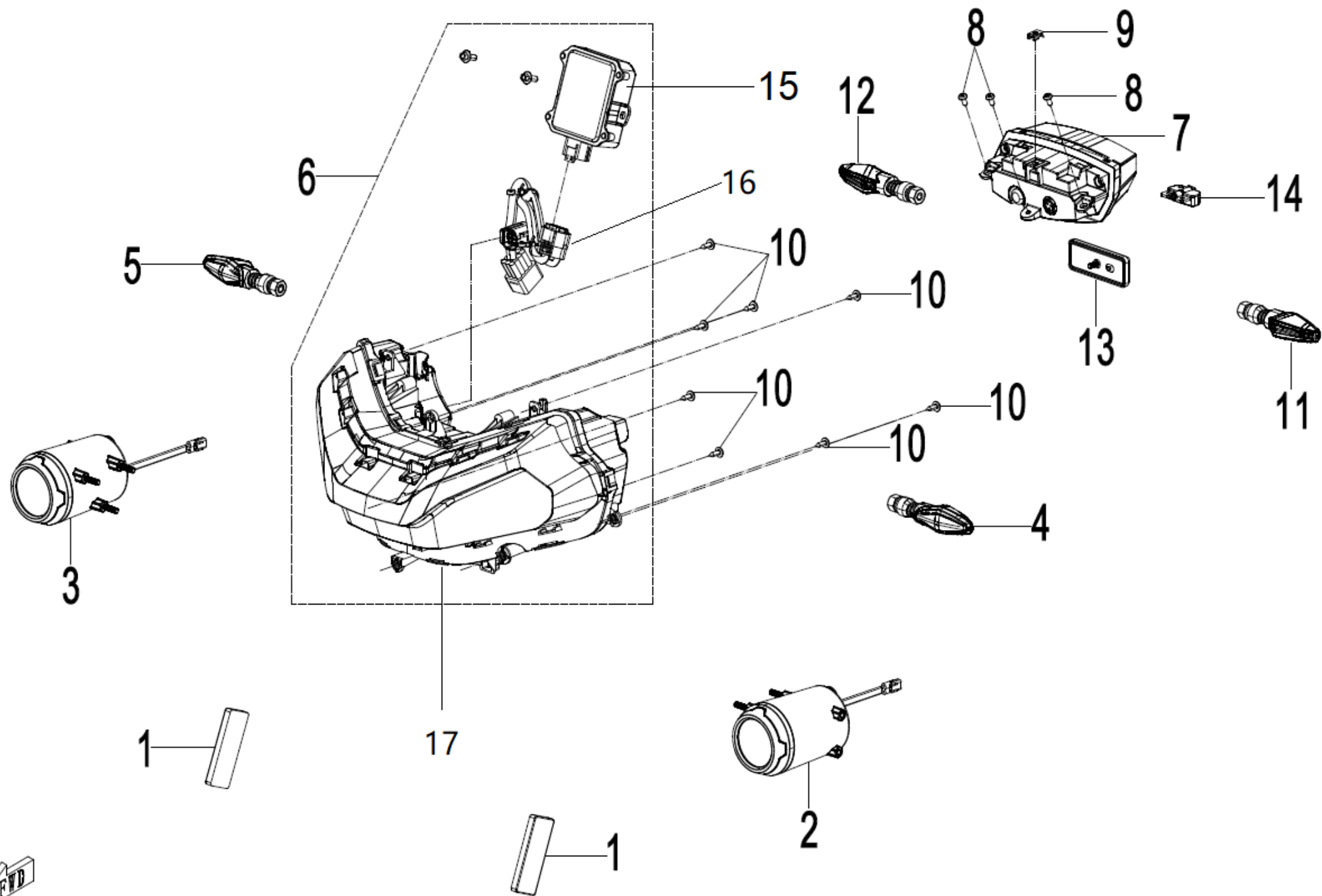
F15-1-B 电器系统 ELECTRIC SYSTEM



Item No.	Parts Number	Parts Name(EN)	Parts Name(CN)	Qty	Remark(s)
F15-1-B-1	6WWV-150500-5000-10	POWER OUTLET SOCKET	电源输出座组合	1	
F15-1-B-2	6WWV-150600-5000-10	USB OUTLET SOCKET ASSY	USB输出座组合	1	
F15-1-B-3	6WWV-150100-5201	MAIN CABLE	主电缆	1	

Item No.	Parts Number	Parts Name(EN)	Parts Name(CN)	Qty	Remark(s)
F15-1-B-4	KNL0-150600	HORN	喇叭	1	
F15-1-B-5	30006-080014810	BOLT M8x14	螺栓	1	
F15-1-B-6	30118-480130010	SELF-TAPPING SCREW ST4.8x13	自攻螺钉	7	
F15-1-B-7	6L30-080040	6D SENSOR	6D传感器	1	
F15-1-B-8	30006-060016870	BOLT M6x16	螺栓	2	
F15-1-B-9	6GUV-151800-7501-M1	T-BOX	智能中控	1	
F15-1-B-10	6KMV-150901-B001	RUBBER RING, T-BOX	T-BOX橡胶圈	2	
F15-1-B-11	6WWV-177000-5000-M1	REGULATOR	整流调压器	1	
F15-1-B-12	30006-060025810	BOLT M6x25	螺栓	6	
F15-1-B-13	6WWV-150300-5000	NEGATIVE CABLE, STARTER MOTOR	起动马达负极线	1	
F15-1-B-14	30006-060012810	BOLT M6x12	螺栓	3	
F15-1-B-14	30006-060012870	BOLT M6x12	螺栓	3	
F15-1-B-15	6WWV-151200-5000	SWITCH, SIDE STAND	边撑开关	1	
F15-1-B-16	8010-090005	BOLT M6x16	螺栓M6x16	1	
F15-1-B-17	A000-150800	AUXILIARY RELAY	辅助继电器	2	
F15-1-B-18	6WWV-150410-5000	VEHICLE CONTROL UNIT	车身控制模块	1	
F15-1-B-19	6WWV-150420-5000	BUSHING, VEHICLE CONTROL UNIT	车身控制模块安装套	1	
F15-1-B-20	5BY0-150305	CAP, DIAGNOSIS CONNECTOR	诊断接口盖子	1	
F15-1-B-22	806A-151301	FUSE 7.5A	保险丝_7.5A	2	
F15-1-B-23	806A-151302	FUSE 10A	保险丝_10A	3	
F15-1-B-24	806A-151303	FUSE 15A	保险丝_15A	3	
F15-1-B-25	806A-151307	25A FUSE	25A保险丝	1	
F15-1-B-26	9CR6-150310	STARTER RELAY	起动继电器	1	
F15-1-B-27	5BY4-151301	30A FUSE	30A保险	1	
F15-1-B-29	31021100	BATTERY	蓄电池	1	
F15-1-B-30	6WWV-001000-5201	ECU ASSY	ECU总成	1	
F15-1-B-31	6WWV-150400-5000	NEGATIVE WIRE,BATTERY	电瓶负极线	1	
F15-1-B-32	6WWV-150200-5000	POSITIVE CABLE, STARTER MOTOR	起动马达正极线	1	
F15-1-B-33	30220-060810	NUT M6	螺母	1	
F15-1-B-34	6KJ0-100002	TIE BAND, CLUTCH	离合器拉索绑带	9	
F15-1-B-35	6L30-080006	WIRE CLIP 2, BRAKE FLUID HOSE	制动油管线夹II	2	
F15-1-B-36	6L30-150003	TIE	扎带	2	
F15-1-B-39	6WWV-150101-5000	TEMPETURE SENSOR	环境温度传感器	39	

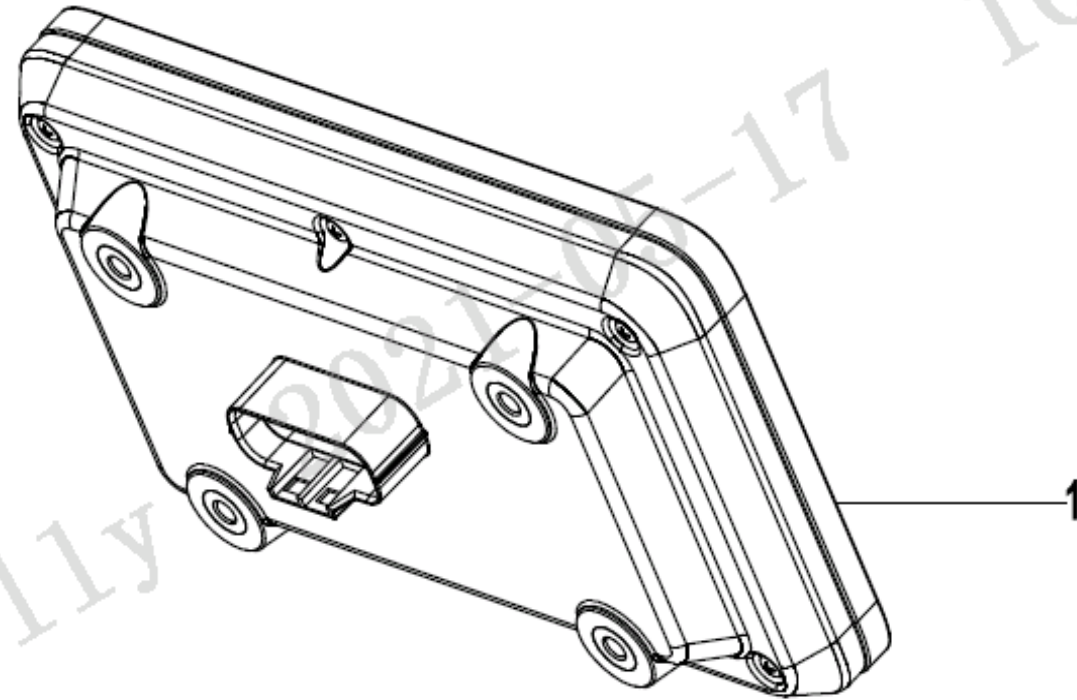
灯具/LIGHTS



Item No.	Parts Number	Parts Name(EN)	Parts Name(CN)	Qty	Remark(s)
F16-1	6WWV-160220-5000	SIDE REFLECTOR	侧反射器	2	
F16-2	6WWV-160600-5000	LH FRONT FOG LIGHT	左前雾灯	1	
F16-3	6WWV-160700-5000	RH FRONT FOG LIGHT	右前雾灯	1	
F16-4	6KM#-160400-8000	LH FRONT TURN LIGHT	左前转向灯	1	
F16-5	6KM#-160500-8000	RH FRONT TURN LIGHT	右前转向灯	1	
F16-6	6WWV-161000-5600	HEADLIGHT ASSY	前照灯总成	1	
F16-7	6WWV-160200-5000	TAIL LIGHT ASSY	尾灯组合	1	
F16-8	30110-481130010	SELF-TAPPING SCREW ST4.8x13	自攻螺钉	3	
F16-9	6KM#-040081-8000-M1	NUT CLIP M5	M5螺母夹	1	
F16-10	30110-480160010	SELF-TAPPING SCREW ST4.8x16	自攻螺钉	8	
F16-11	6KM0-160400-00004	FRONT TURN LIGHT, LH	前左转向灯	1	
F16-12	6KM0-160500-00004	FRONT TURN LIGHT, RH	前右转向灯	1	
F16-13	6WWV-160230-5000	REAR REFLECTOR	后反射器	1	
F16-14	6WWV-160300-5000	LICENSE LIGHT	牌照灯	1	
F16-15	6WWV-160110-5600	CONTROLLER, HEADLIGHT	前照灯控制器	1	
F16-16	6WWV-160120-5001	CABLE, HEADLIGHT	前照灯线束总成	1	
F16-17	6WWV-160100-5000	HEADLIGHT	前照灯	1	

F17 仪表 DASHBOARD ASSY

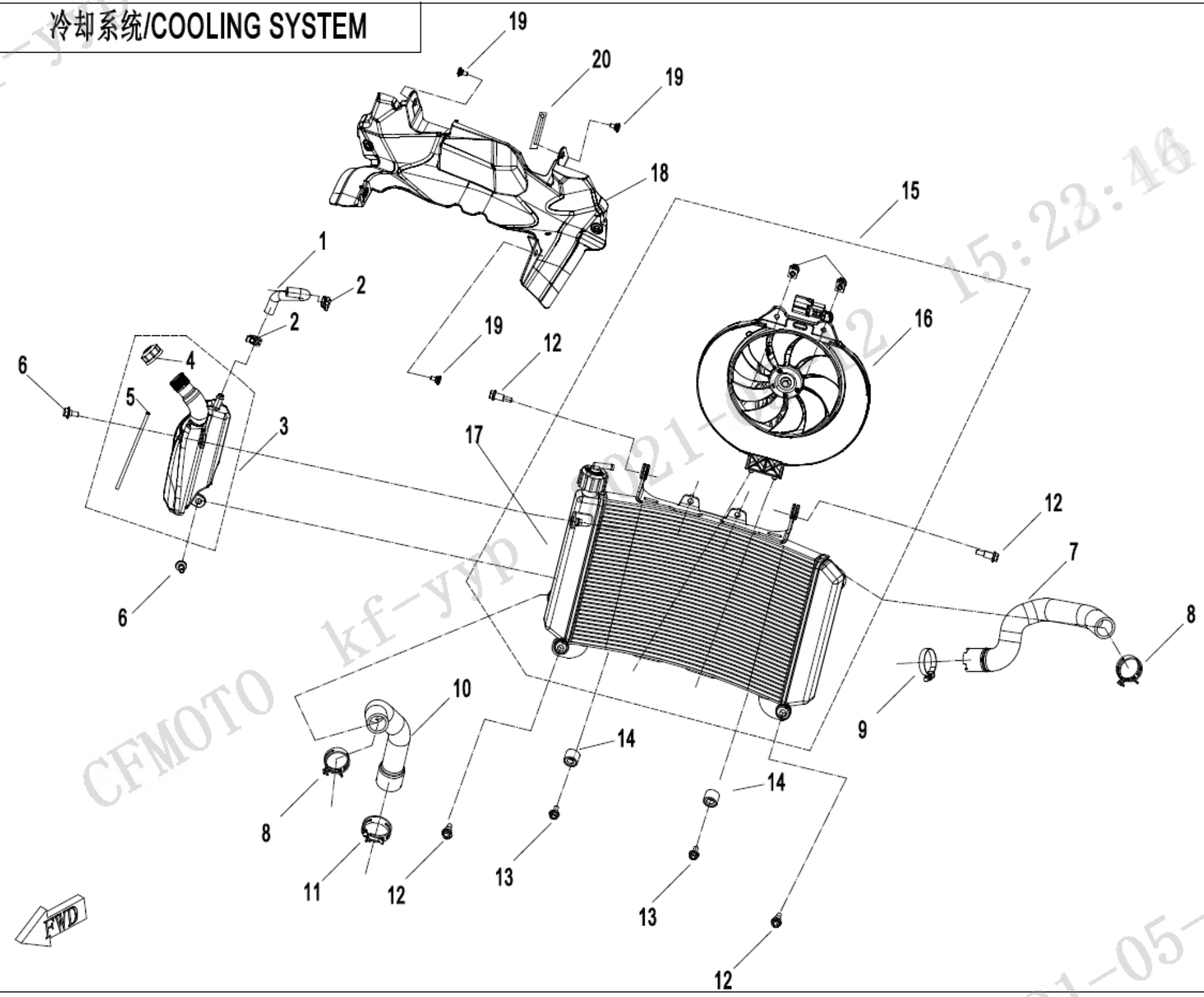
仪表/DASHBORD ASSY



Item No.	Parts Number	Parts Name(EN)	Parts Name(CN)	Qty	Remark(s)
1	6WWV-170100-5100-10	LCD DASHBOARD	液晶仪表	1	WITH HEATING HANDLE AND HEATING SEAT

F18 冷却系统 COOLING SYSTEM

冷却系统/COOLING SYSTEM

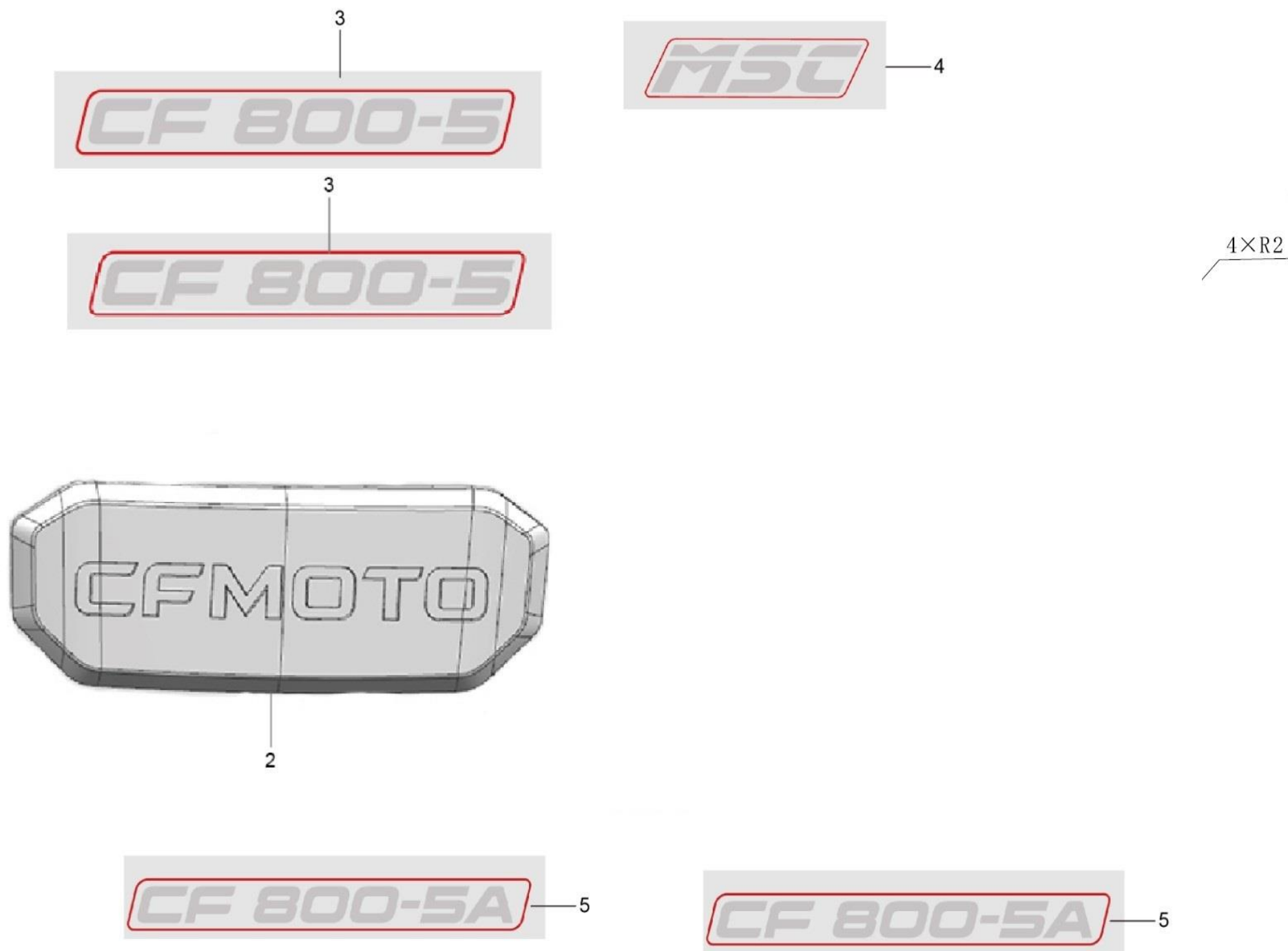


2021-05-12 15:23:46

21-05-12

Item No.	Parts Number	Parts Name(EN)	Parts Name(CN)	Qty	Remark(s)
F18-1	6WWV-180004-5000	CONNECTING PIPE, RESERVOIR TANK	副水箱连接管	1	
F18-2	30601-212530	CLAMP B12.5	环箍B12.5	2	
F18-3	6WWV-180010-5000	RESERVOIR TANK ASSY	副水箱组合	1	
F18-4	6KM#-180210-8000	RESERVOIR TANK CAP ASSY	副水箱盖组合	1	
F18-5	6WWV-180011-5000	PIPE, RESERVOIR TANK	副水箱导管	1	
F18-6	8010-000004	BOLT M6x14	凸缘螺栓M6x14	2	
F18-7	6WWV-180001-5000	WATER INLET PIPE, RADIATOR	散热器进水管	1	
F18-8	6WWV-180006-5000	CLAMP B32	环箍B32	2	
F18-9	30603-040000	CLAMP d40	喉箍d40	1	
F18-10	6WWV-180002-5000	WATER OUTLET PIPE, RADIATOR	散热器出水管	1	
F18-11	6WWV-180007-5000	CLAMP B38	环箍B38	1	
F18-12	6WWV-180008-5000	STEPPED SCREW M6x25	台阶螺栓M6x25	4	
F18-13	30006-060010810	BOLT M6x10	螺栓	2	
F18-14	6WWV-180009-5000	THREADED DAMPING RUBBER	带螺纹缓冲胶垫	2	
F18-15	6WWV-181000-5000	FAN ASSY, RADIATOR	散热器风扇组合	1	
F18-16	6WWV-181010-5000	FAN MOTOR ASSY	电机风扇组件	1	
F18-17	6WWV-181100-5000	RADIATOR ASSY	散热器焊接组件	1	
F18-18	6WWV-180005-5000	REAR FENDER, RADIATOR	散热器后挡板	1	
F18-19	6WWV-046502-5000	STEPPED SCREW M5	M5组合台阶螺钉	3	
F18-20	0180-014010	WIRE CLAMP	线夹组合	1	

F19-1 标贴 LABEL

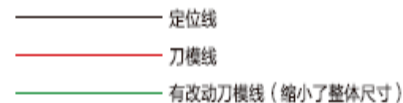


Item No.	Parts Number	Parts Name(EN)	Parts Name(CN)	Qty	Remark(s)
F19-1-2	6WWV-190001-5000	CFMOTO STICKER	CFMOTO铝标	1	
F19-1-3	6WWV-190107-5000-10	MODEL DECAL	型号贴花	2	
F19-1-4	6WWV-190108-5000-10	DECAL, FRONT FENDER	前挡泥板贴花	1	
F19-1-5	6WWV-190107-5000-12	MODEL DECAL	型号贴花	1	

F19-4 贴花(深海蓝) DECAL(TWILIGHT BLUE)

6WWV-190100-5000-12 个性贴花总成

深海蓝高配版配色



WHITE

采用透明PVC面料, 亮光光油

序号	图号	名称	尺寸	数量	材料	表面效果	粘接弧度	粘接表面基材	粘接表面处理
01	6WWV-190101-5000-10	CFMOTO贴花 I (左)	232*30	1	透明pvc	亮光光油	2D小弧度	塑料(PBT+PC)	亮光油漆



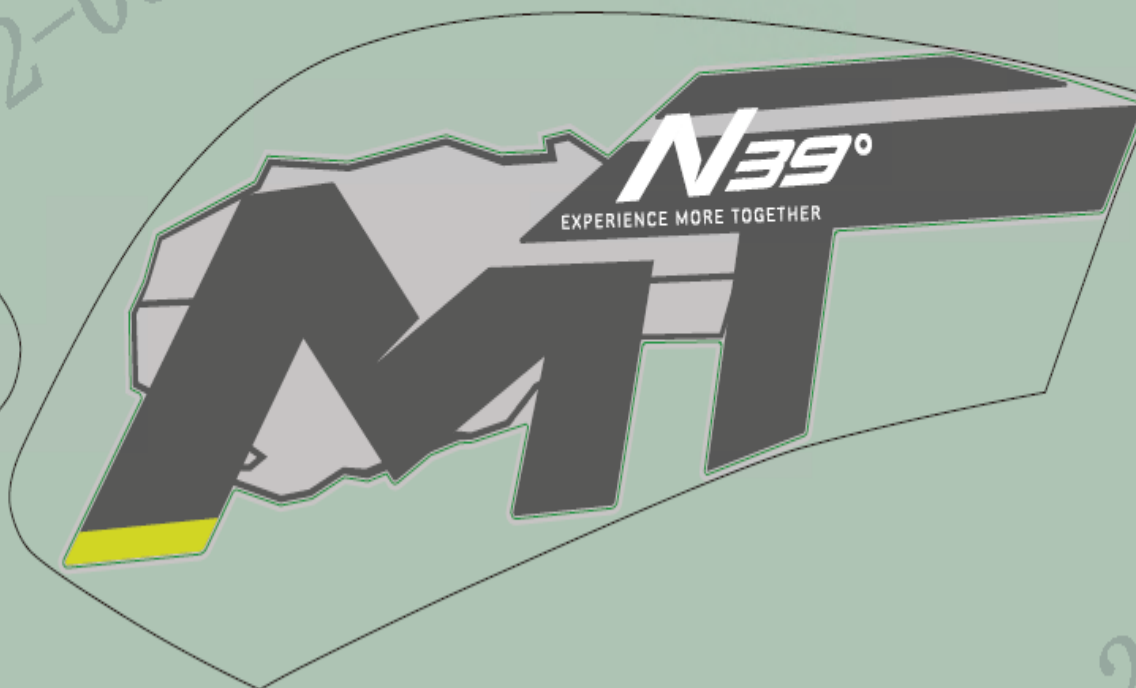
序号	图号	名称	尺寸	数量	材料	表面效果	粘接弧度	粘接表面基材	粘接表面处理
02	6WWV-190102-5000-10	CFMOTO贴花 II (右)	238*34	1	透明pvc	亮光光油	2D小弧度	塑料(PBT+PC)	亮光油漆



序号	图号	名称	尺寸	数量	材料	表面效果	粘接弧度	粘接表面基材	粘接表面处理
03	6WWV-190103-5000-12	左前挡护板贴花	456*191	1	透明pvc	亮光光油	2D小弧度	塑料(PBT+PC)	亮光油漆



序号	图号	名称	尺寸	数量	材料	表面效果	粘接弧度	粘接表面基材	粘接表面处理
04	6WWV-190104-5000-12	右前挡护板贴花	456*214	1	透明pvc	亮光光油	2D小弧度	塑料(PBT+PC)	亮光油漆



序号	图号	名称	尺寸	数量	材料	表面效果	粘接弧度	粘接表面基材	粘接表面处理
05	6WWV-190105-5000-10	右油桶护板贴花	295*60	1	透明pvc	亮光光油	2D小弧度	塑料(PBT+PC)	亮光油漆



序号	图号	名称	尺寸	数量	材料	表面效果	粘接弧度	粘接表面基材	粘接表面处理
06	6WWV-190106-5000-10	左油桶护板贴花	308*62	1	透明pvc	亮光光油	2D小弧度	塑料(PBT+PC)	亮光油漆

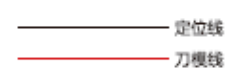


Item No.	Parts Number	Parts Name(EN)	Parts Name(CN)	Qty	Remark(s)
F19-4-1	6WWV-190101-5000-10	CFMOTO STICKER 1	CFMOTO贴花 I	1	
F19-4-2	6WWV-190102-5000-10	CFMOTO STICKER 2	CFMOTO贴花 II	1	
F19-4-3	6WWV-190103-5000-12	DECAL, LH FRONT FUEL TANK PANEL	左前油箱护板贴花	1	
F19-4-4	6WWV-190104-5000-12	DECAL, RH FRONT FUEL TANK PANEL	右前油箱护板贴花	1	
F19-4-5	6WWV-190105-5000-10	DECAL, RH FUEL TANK PANEL	右油箱护板贴花	1	
F19-4-6	6WWV-190106-5000-10	DECAL, LH FUEL TANK PANEL	左油箱护板贴花	1	
F19-4-7	6WWV-190100-5000-12	DECAL ASSY	个性贴花总成	1	

F19-5 贴花 (沙漠黄) DECAL (SANDSTONE YELLOW)

6WV-190100-5000-13 个性贴花总成

沙漠黄配色



备注：图纸中标注材料为我司推荐材料，允许使用其他满足使用要求或性能与推荐材料相当的材料。

采用透明PVC面料，哑光光油

序号	图号	名称	尺寸	数量	材料	表面效果	粘接弧度	粘接表面基材	粘接表面处理
01	6WV-190101-5000-13	CFMOTO偏花I (左)	232*30	1	透明PVC	哑光光油	2D小弧度	塑料 (PBT+PC)	哑光油漆



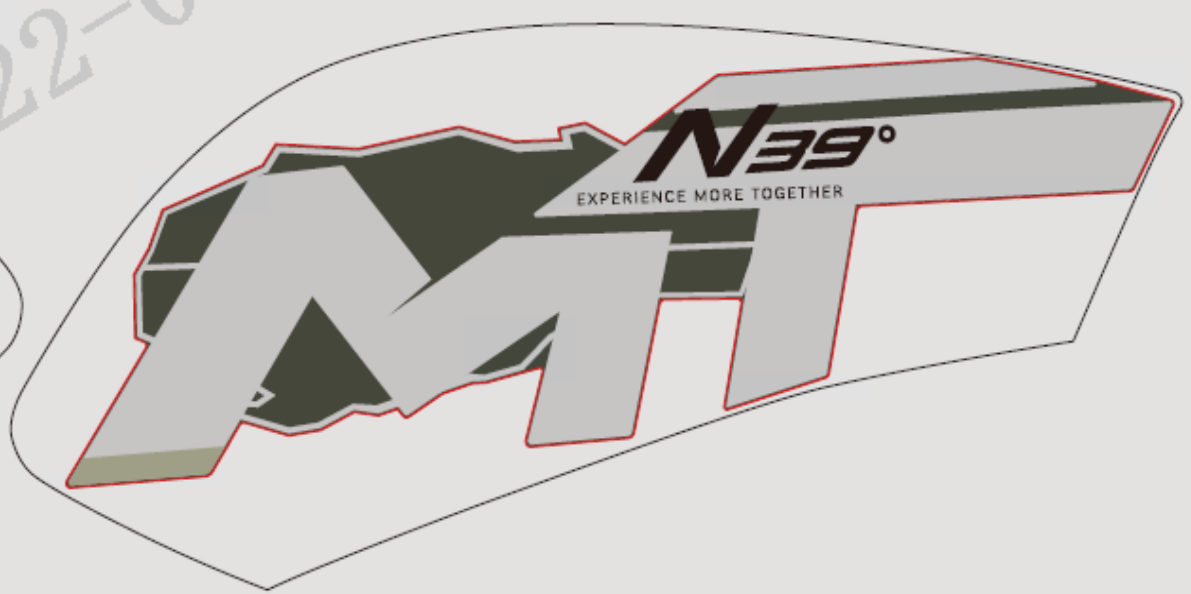
序号	图号	名称	尺寸	数量	材料	表面效果	粘接弧度	粘接表面基材	粘接表面处理
02	6WV-190102-5000-13	CFMOTO偏花II (右)	236*34	1	透明PVC	哑光光油	2D小弧度	塑料 (PBT+PC)	哑光油漆



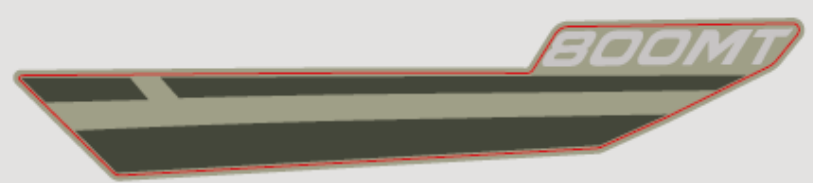
序号	图号	名称	尺寸	数量	材料	表面效果	粘接弧度	粘接表面基材	粘接表面处理
03	6WV-190103-5000-13	左前挡泥板贴花	472*191	1	透明PVC	哑光光油	2D小弧度	塑料 (PBT+PC)	哑光油漆



序号	图号	名称	尺寸	数量	材料	表面效果	粘接弧度	粘接表面基材	粘接表面处理
04	6WV-190104-5000-13	右前挡泥板贴花	456*214	1	透明PVC	哑光光油	2D小弧度	塑料 (PBT+PC)	哑光油漆



序号	图号	名称	尺寸	数量	材料	表面效果	粘接弧度	粘接表面基材	粘接表面处理
05	6WV-190105-5000-13	左油箱护板贴花	295*60	1	透明PVC	哑光光油	2D小弧度	塑料 (PBT+PC)	哑光油漆

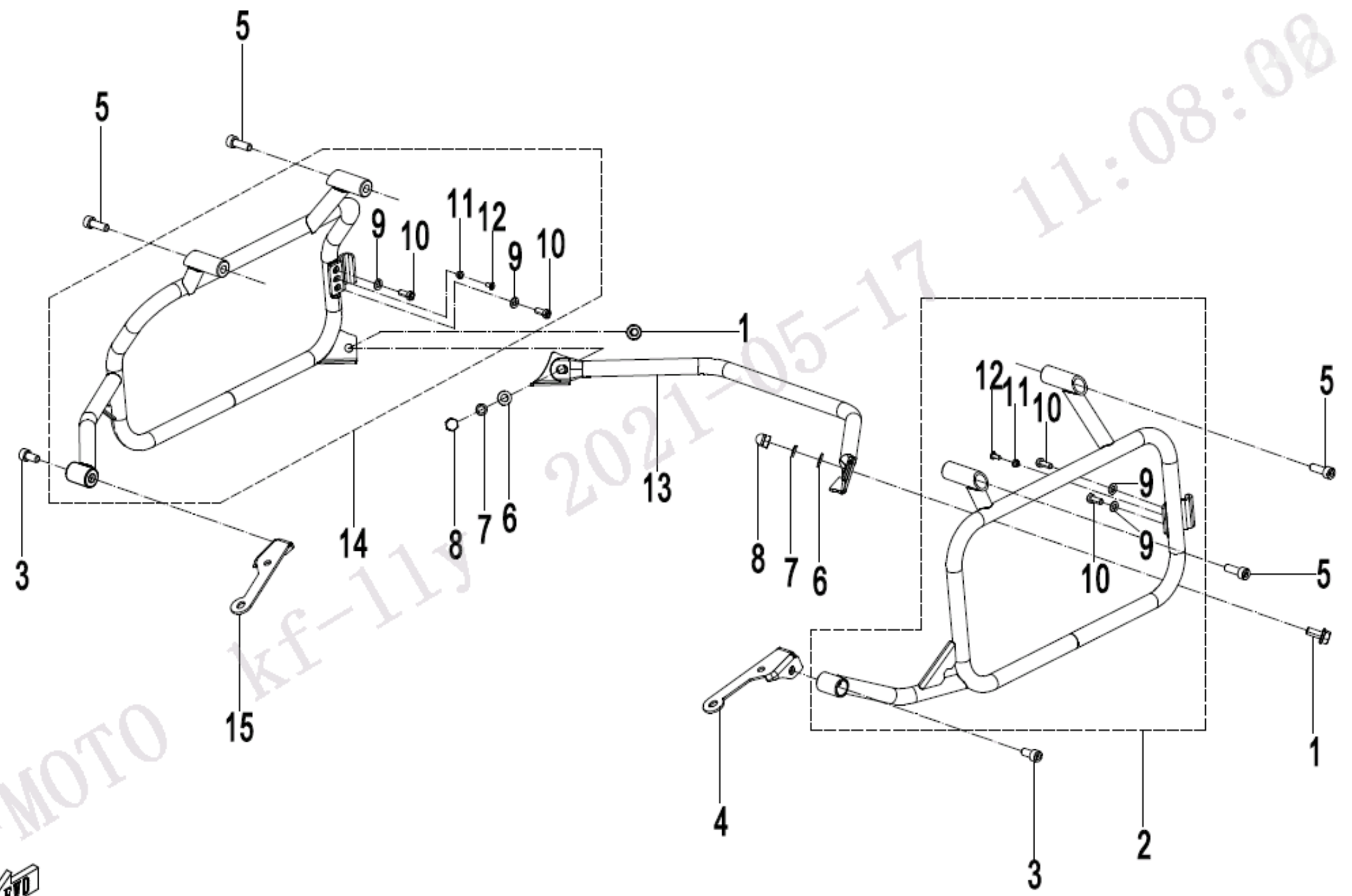


序号	图号	名称	尺寸	数量	材料	表面效果	粘接弧度	粘接表面基材	粘接表面处理
06	6WV-190106-5000-13	右油箱护板贴花	308*62	1	透明PVC	哑光光油	2D小弧度	塑料 (PBT+PC)	哑光油漆



Item No.	Parts Number	Parts Name(EN)	Parts Name(CN)	Qty	Remark(s)
F19-5-1	6WWV-190101-5000-13	CFMOTO STICKER 1	CFMOTO贴花 I_左	1	
F19-5-2	6WWV-190102-5000-13	CFMOTO STICKER 2	CFMOTO贴花 II_右	1	
F19-5-3	6WWV-190103-5000-13	DECAL, LH FRONT FUEL TANK PANEL	左前油箱护板贴花	1	
F19-5-4	6WWV-190104-5000-13	DECAL, RH FRONT FUEL TANK PANEL	右前油箱护板贴花	1	
F19-5-5	6WWV-190105-5000-13	DECAL, LH FUEL TANK PANEL	左油箱护板贴花	1	
F19-5-6	6WWV-190106-5000-13	DECAL, RH FUEL TANK PANEL	右油箱护板贴花	1	
F19-5-7	6WWV-190100-5000-13	DECAL ASSY	个性贴花总成	1	

边箱/SIDE BOXES



CFMOTO
kf-11

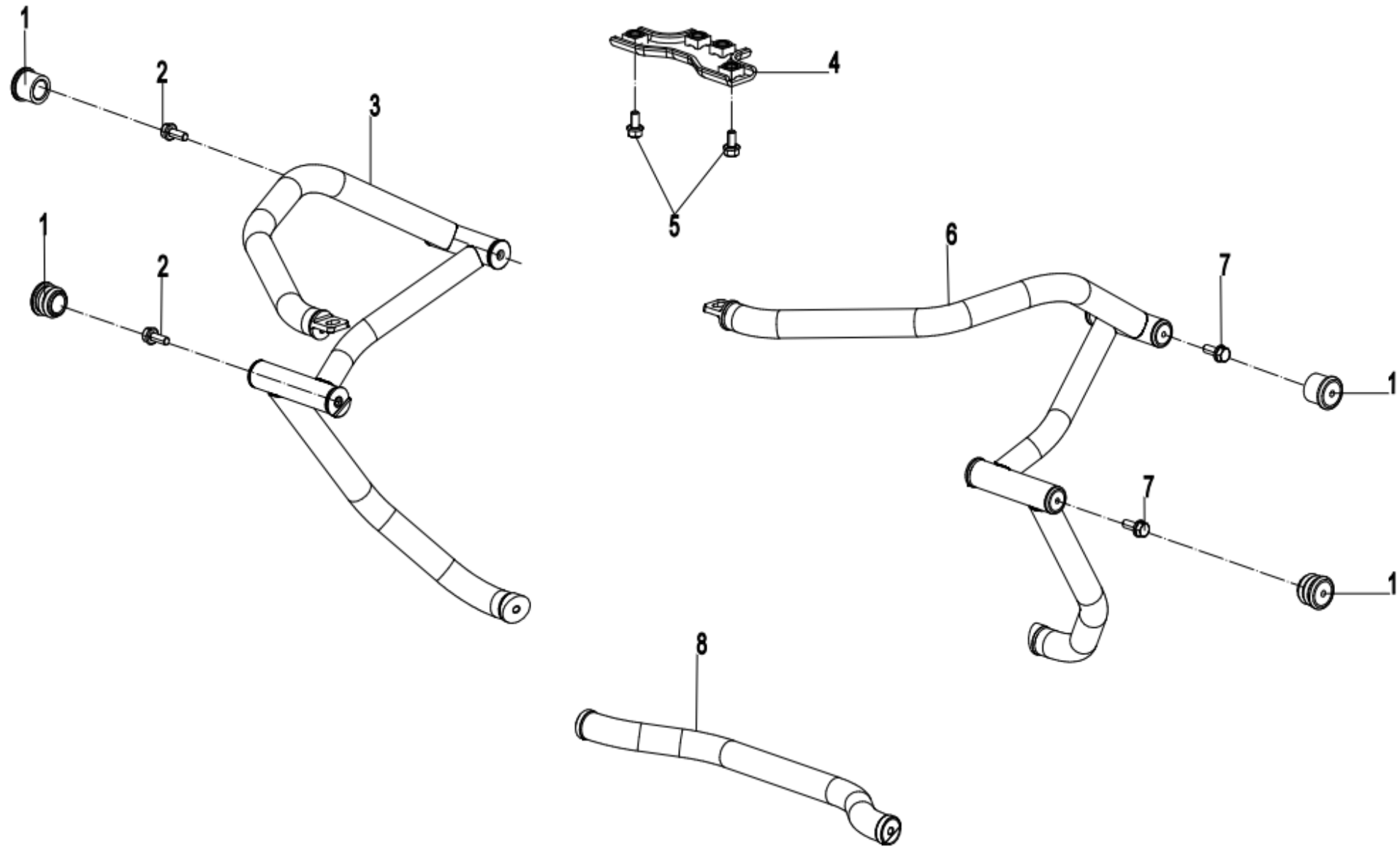


2021-05-17 11:08:08

Item No.	Parts Number	Parts Name(EN)	Parts Name(CN)	Qty	Remark(s)
F22-1	30006-080016810	BOLT M8x16	螺栓	2	
F22-2	6WWV-221000-5000-0VQ00	LH ASSY, SIDE BOX BRACKET	边箱支架左装配总成	1	
F22-3	30006-080016810	BOLT M8x16	螺栓	2	
F22-4	6WWV-030800-5000	LH FRONT SEAT, SIDE BOX BRACKET	边箱支架左前安装座	1	
F22-5	30102-080025810	SCREW M8x25	螺钉	4	
F22-6	30306-080112	WASHER M8	垫圈	2	
F22-7	30303-080112	WASHER M8	垫圈	2	
F22-8	30206-080510	NUT M8	盖形螺母	2	
F22-9	6WWV-221000-5000-20	WASHER	垫圈	4	
F22-10	6WWV-221000-5000-21	SCREW	螺钉	4	
F22-11	6WWV-221000-5000-22	T-TYPE BUSHING M6x14	T型衬套	2	
F22-12	6WWV-221000-5000-23	BLIND RIVET 4x12	封闭性平圆头抽芯铆钉4X12	2	
F22-13	6WWV-220300-5000-0VQ00	CONNECTING ROD, SIDE BOX BRACKET	边箱支架连接杆	1	
F22-14	6WWV-222000-5000-0VQ00	RH ASSY, SIDE BOX BRACKET	边箱支架右装配总成	1	
F22-15	6WWV-030900-5000	RH FRONT SEAT, SIDE BOX BRACKET	边箱支架右前安装座	1	

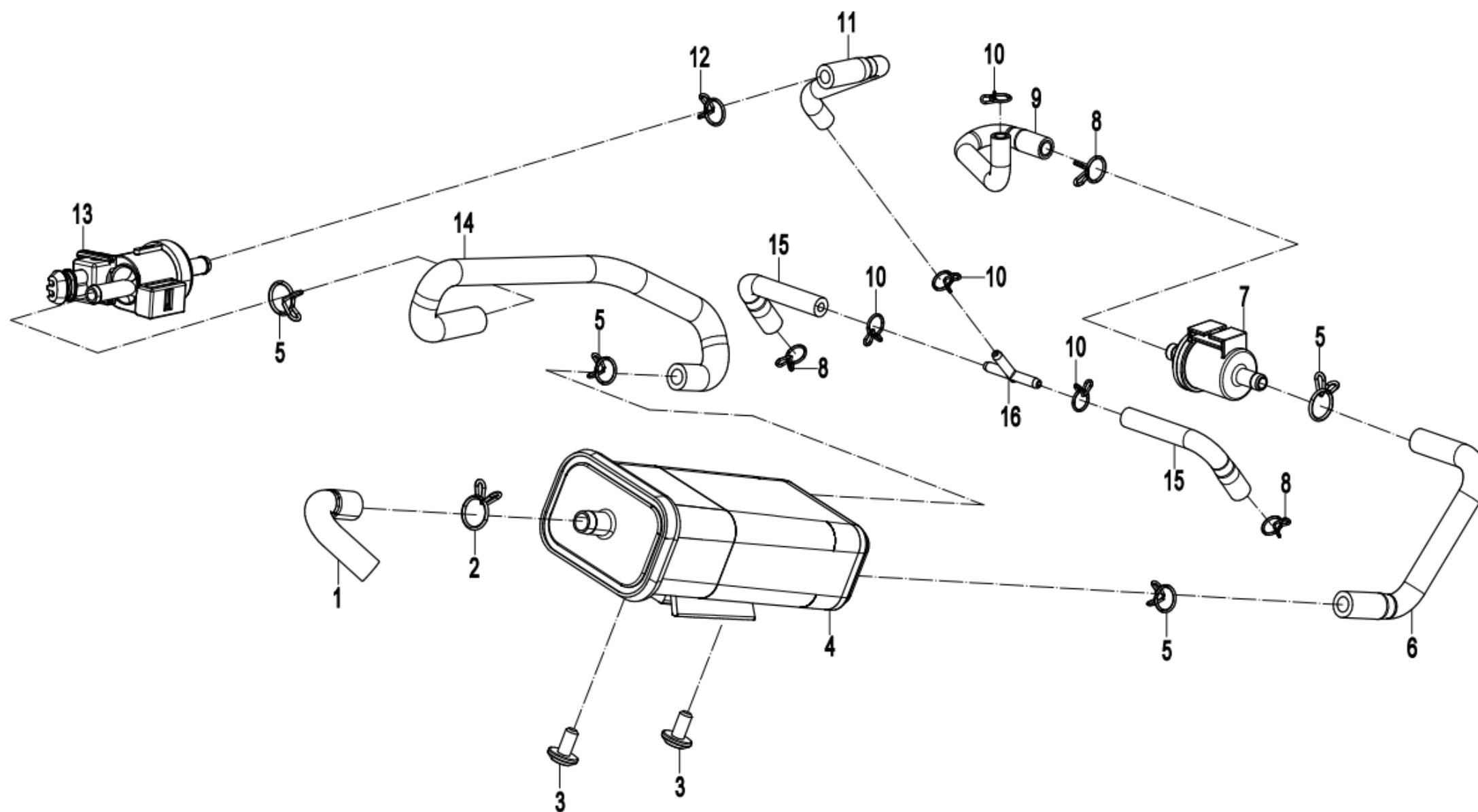
F25 前保险杠 FRONT BUMPER

F25前保险杠/FRONT BUMPER



Item No.	Parts Number	Parts Name(EN)	Parts Name(CN)	Qty	Remark(s)
F25-1	6WWV-250001-5000	DECO COVER, BUMPER	保险杠装饰盖	4	
F25-2	30006-080020810	BOLT M8x20	螺栓	2	
F25-3	6WWV-250200-5000-0VQ00	FRONT RH BUMPER ASSY	前右保险杠焊接组合	1	
F25-4	6WWV-250300-5000	CONNECTING BRACKET, BUMPER	保险杠连接座	1	
F25-5	30006-080016810	BOLT M8x16	螺栓	2	
F25-6	6WWV-250100-5000-0VQ00	FRONT LH BUMPER ASSY	前左保险杠焊接组合	1	
F25-7	30006-080020810	BOLT M8x20	螺栓	2	
F25-8	6WWV-250400-5000-0BP00	MIDDLE CONNECTING BRACKET, BUMPER	保险杠中部连接焊接组件_莫德灵黑	1	

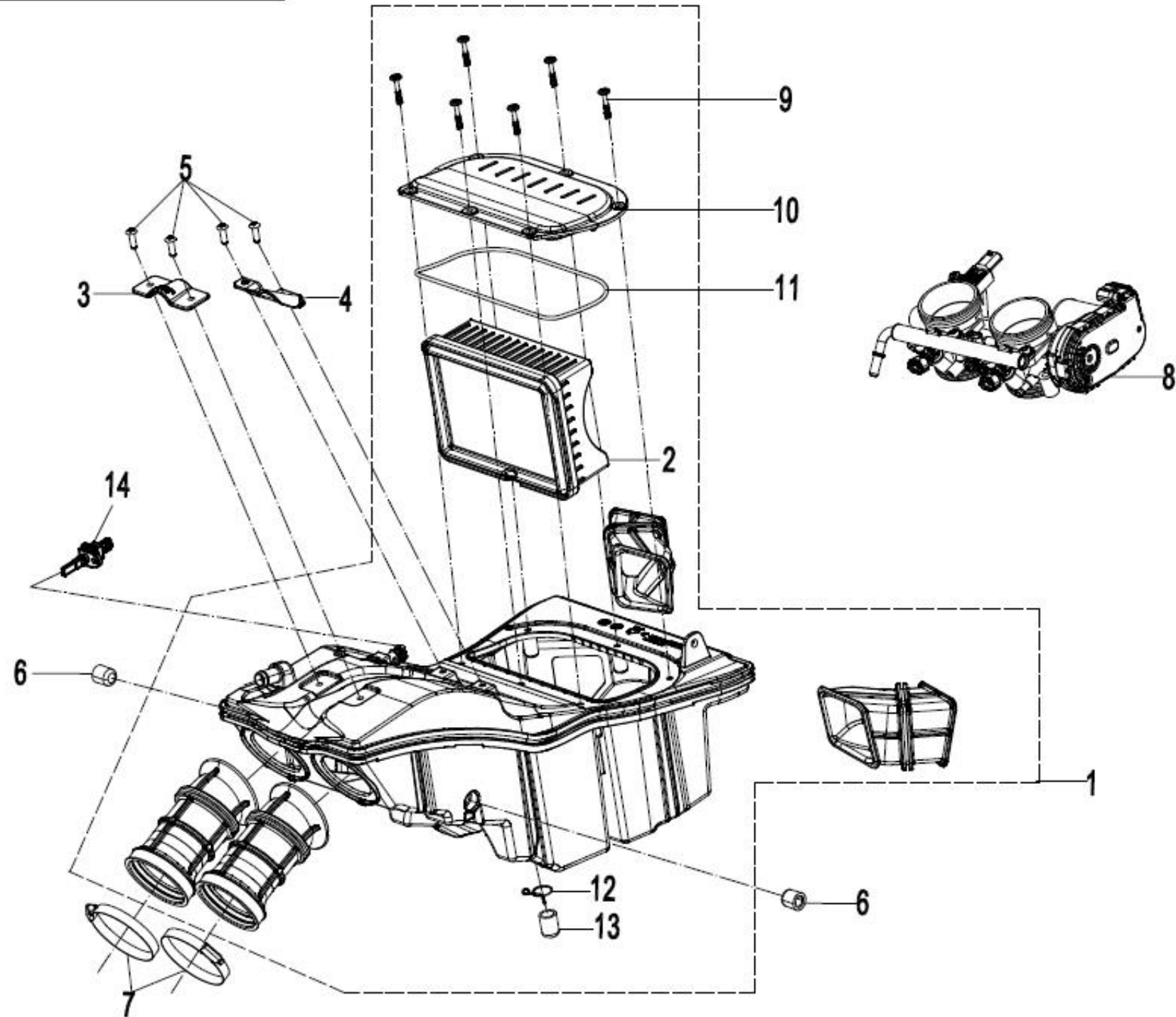
燃油蒸发系统/FUEL VAPOPION SYSTEM



Item No.	Parts Number	Parts Name(EN)	Parts Name(CN)	Qty	Remark(s)
F36-1	6WWV-360006-5000	AIR PIPE, CANISTER	炭罐空气管	1	
F36-2	30601-113010	CLAMP A13	环箍	1	
F36-3	6WWV-046702-5000	INNER HEX SCREW M6x12	M6x12内六角螺钉	2	
F36-4	1F30-172000	CANISTER MAGNETIC VALVE	炭罐电磁阀	1	
F36-5	30601-112010	CLAMP A12	环箍	4	
F36-6	6WWV-360002-5000	FUEL ADSORPTION PIPE 2	燃油吸附管II	1	
F36-7	6WWV-360010-5000	TWO-WAY VALVE	双向阀	1	
F36-8	30601-110010	CLAMP A10	环箍	3	
F36-9	6WWV-360001-5000	FUEL ADSORPTION PIPE 1	燃油吸附管I	1	
F36-10	30601-109010	CLAMP A9	环箍	4	
F36-11	6WWV-360004-5000	FUEL DESORPTION PIPE 2	燃油脱附管II	1	
F36-12	30601-111010	CLAMP A11	环箍A11	1	
F36-13	6WWV-360200-5000	CANISTER	炭罐	1	
F36-14	6WWV-360003-5000	FUEL DESORPTION PIPE 1	燃油脱附管I	1	
F36-15	6WWV-360005-5000	FUEL DESORPTION PIPE 3	燃油脱附管III	2	
F36-16	6WWV-360007-5000	VACUUM T-JOINT	负压三通接头	1	

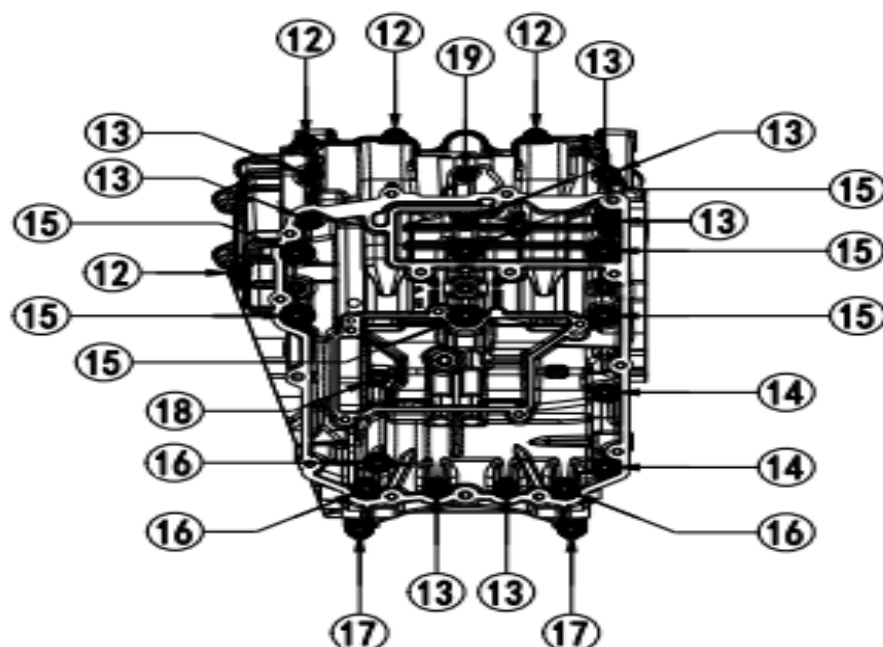
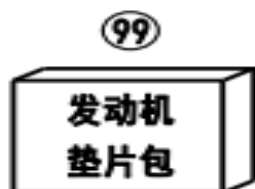
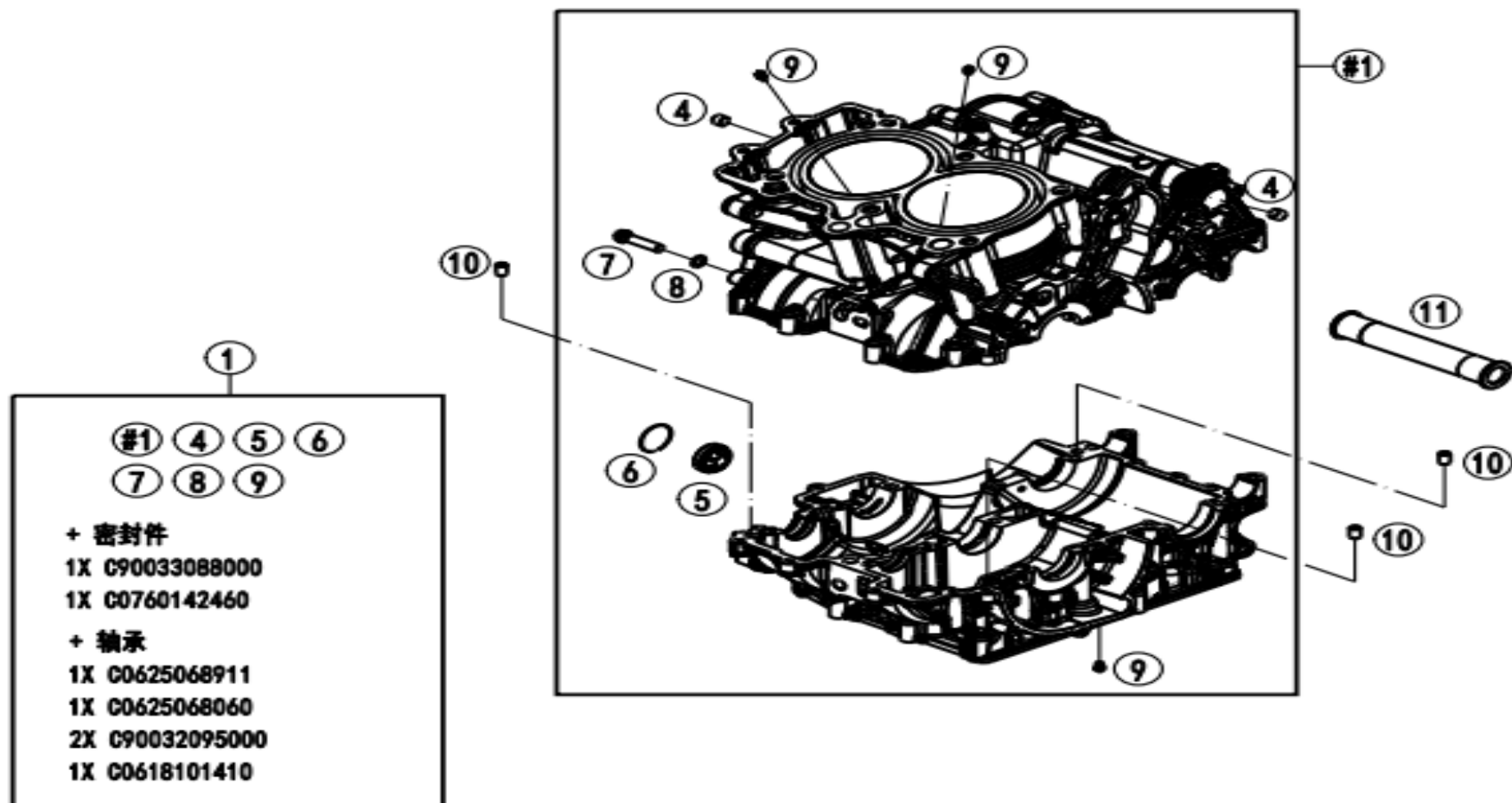
F41 空濾器 AIR FILTER

空濾器/ AIR FILTER



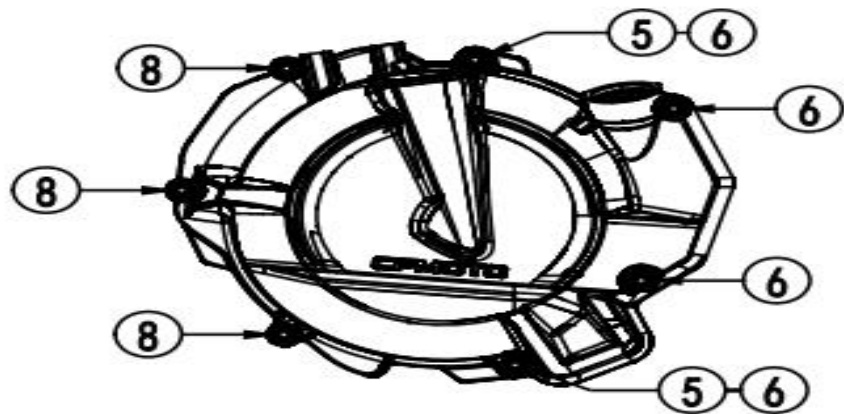
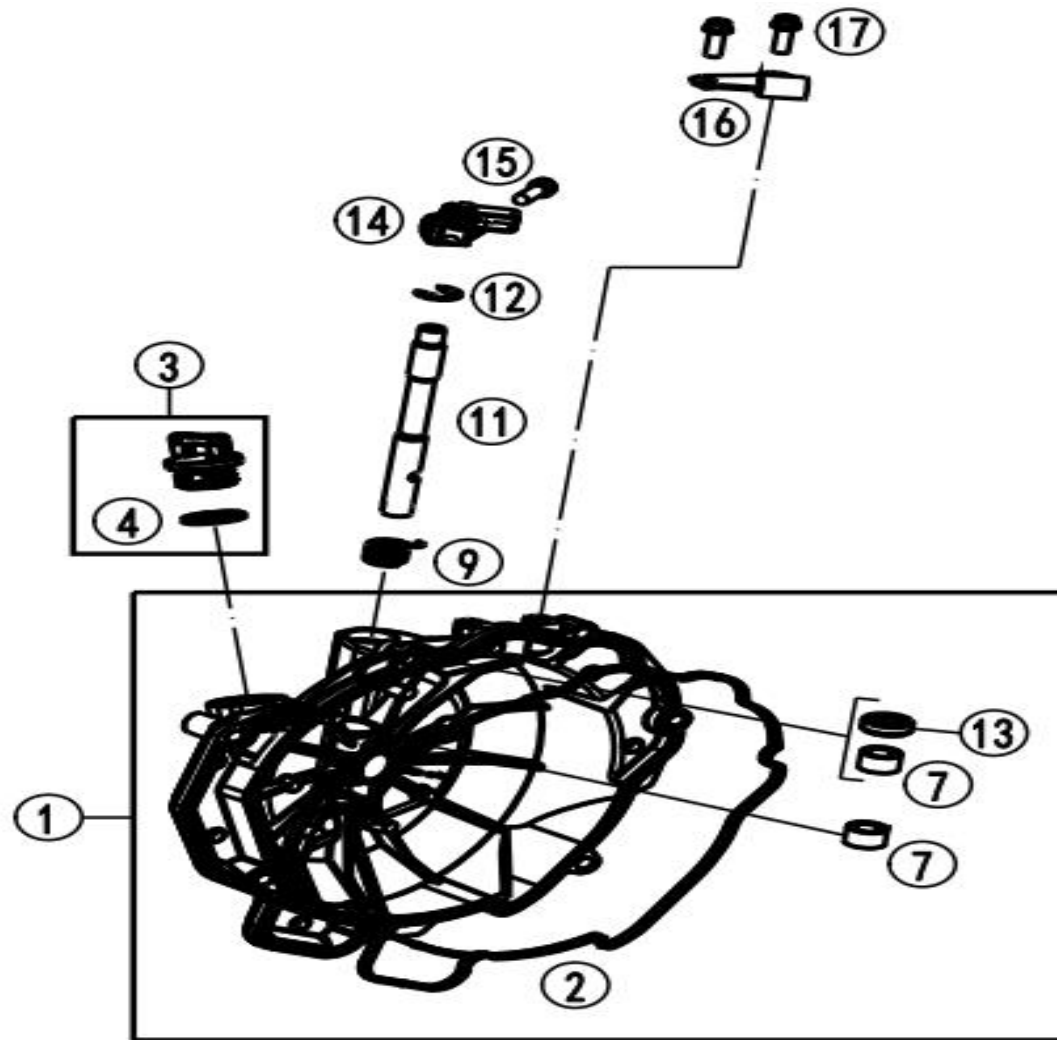
Item No.	Parts Number	Parts Name(EN)	Parts Name(CN)	Qty	Remark(s)
F41-1	0PW0-111000	AIR FILTER ASSY	空滤器组件	1	
F41-2	0PW0-111100	FILTER ELEMENT ASSY.	滤芯组件	1	
F41-3	0PW0-110001	FRONT PRESSING PLATE, MAIN CABLE	主电缆前压线板	1	
F41-4	0PW0-110002	REAR PRESSING PLATE, MAIN CABLE	主电缆后压线板	1	
F41-5	30110-480160070	SELF-TAPPING SCREW	自攻螺钉	4	
F41-6	0PW0-110005	RUBBER CONNECTOR	橡胶插件	2	
F41-7	9010-020007	A-TYPE SCREW CLAMP	A型螺钉环箍 (50-70)	2	
F41-8	0PW0-173000	THROTTLE BODY ASSY	电子节气门阀体总成	1	
F41-9	0PW0-111008	LOCK SCREW, UPPER PRESSING PLATE	空滤器上盖板紧固螺钉	6	
F41-10	0PW0-111006	UPPER PRESSING PLATE, AIR FILTER	空滤器上盖板	1	
F41-11	0PW0-111007	SEAL STRAP, AIR FILTER	空滤器密封条	1	
F41-12	30601-114510	CLAMP	环箍	1	
F41-13	0PW0-111004	OIL STORAGE HEAD	储油头	1	
F41-14	0PW0-173100	AIR INTAKE TEMP. SENSOR	进气温度传感器	1	

E01-1 箱体组件 ENGINE CASE



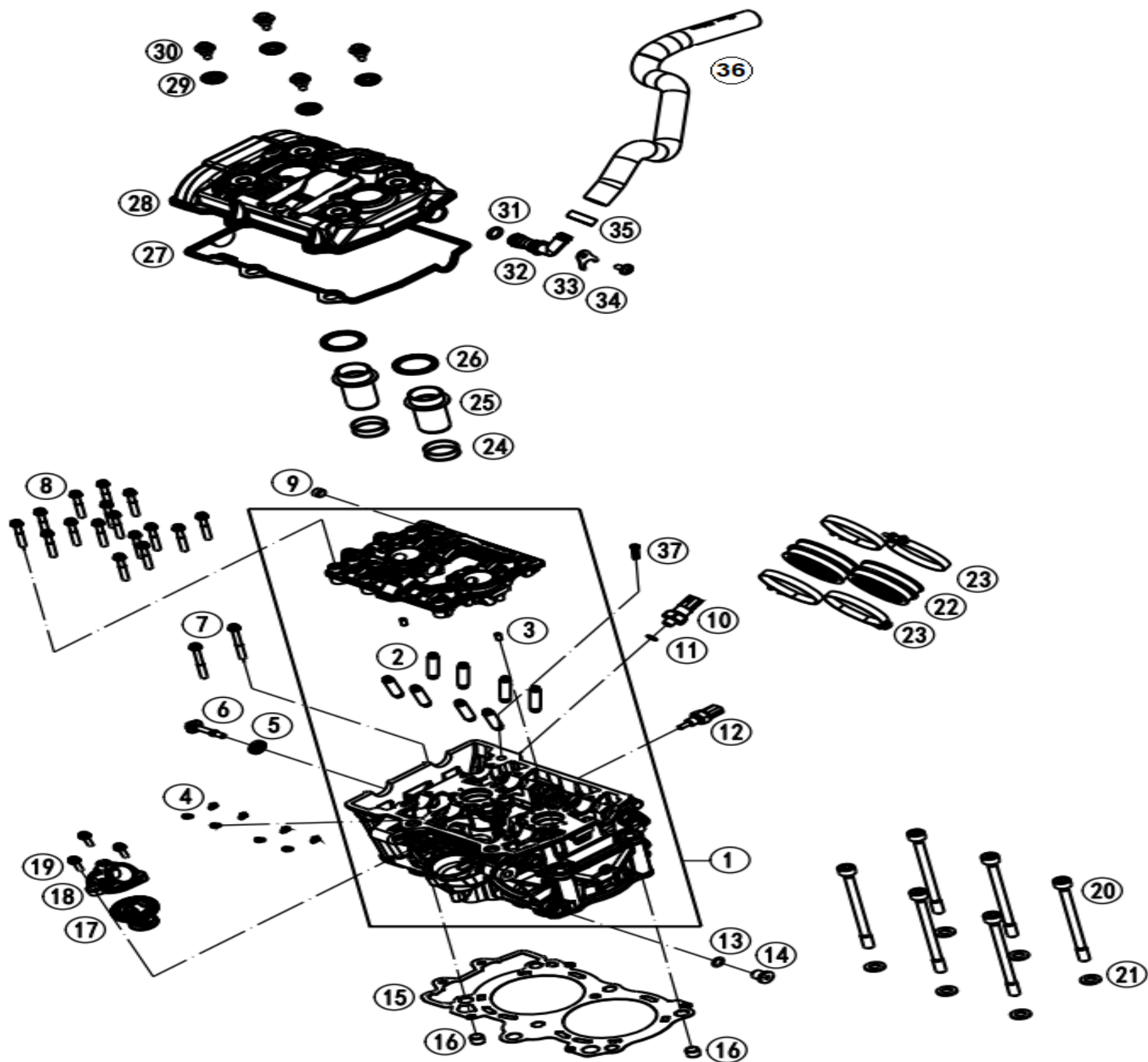
Item No.	Parts Number	Parts Name(EN)	Parts Name(CN)	Qty	Remark(s)
E01-1-1	C9003000024424	ENGINE CASE CPL.	箱体合箱总成	1	
E01-1-1	C90030000244FBP	ENGINE CASE CPL.	箱体合箱总成	1	
E01-1-4	C0906100100	SCREW 10X1-8 DIN 906	内六角螺塞M10X1	2	
E01-1-5	C90030019200	OIL LEVEL VIEWER	油位镜	1	
E01-1-6	C90030019050	CIRCLIP RB30X1	弹性挡圈RB30X1	1	
E01-1-7	C0025080356	SCREW. M8X35	内梅花六角法兰面螺栓M8X35	1	
E01-1-8	C0603082131	CU RING D8,2/13/1	密封垫8.2x13x1	1	
E01-1-9	C90030063070	PISTON NOZZLE	喷油嘴70/M5	3	
E01-1-10	C90030024000	FITTING SLEEVE 6X8X11	定位销6x8x11	3	
E01-1-11	C90030010000	SWING ARM BUSH	摇臂衬套	1	
E01-1-12	C00002506030U0	HEX COLLAR SCR.,M6X30,ISA 40 W.WASHER	自带垫片螺栓M6X30	4	
E01-1-13	C00002506060U0	HEX COLLAR SCR.,M6X60,ISA 30 W.WASHER	自带垫片螺栓M6X60	7	
E01-1-14	C0025080906	SCREW M8X90	内梅花六角法兰面螺栓M8X90	2	
E01-1-15	C00002508090U0	HEX COLLAR SCR.,M8X90,ISA 40 W.WASHER	自带垫片螺栓M8X90	6	
E01-1-16	C0025080656	SCREW M8X65	内梅花六角法兰面螺栓M8X65	3	
E01-1-17	C0025080556	SCREW M8X55	内梅花六角法兰面螺栓M8X55	2	
E01-1-18	C0025080456	SCREW M8X45	内梅花六角法兰面螺栓M8X45	1	
E01-1-19	C00002508065U0	HEX COLLAR SCR.,M8X65,ISA 40 W.WASHER	自带垫片螺栓M8X65	1	
E01-1-99	C90030099000	GASKET-SET	发动机垫片包	1	

E01-2 离合器盖 CLUTCH COVER



Item No.	Parts Number	Parts Name(EN)	Parts Name(CN)	Qty	Remark(s)
E01-2-1	C9003000114424	CLUTCH COVER CPL.	离合器盖组件	1	
E01-2-1	C90030001144FBP	CLUTCH COVER CPL.	离合器盖组件	1	
E01-2-2	C90030025100	MOLD RING CLUTCH COVER	离合器盖密封垫	1	
E01-2-3	C90030020100FHB	OIL PLUG CPL. M24X3	加油塞组合M24x3	1	
E01-2-4	C90030020100	PLUG COMPL. M24X3	加油塞组合M24x3	1	
E01-2-5	C0770191015	O-RING	O型圈	1	
E01-2-6	C90030024000	FITTING SLEEVE 6X8X11	定位销6x8x11	2	
E01-2-7	C0025060356	SCREW M6X35	内梅花六角法兰面螺栓M6X35	4	
E01-2-8	C0618121610	NEEDLE SLEEVE HK1210 12/16/10	冲压外圈滚针轴承12x16x10	2	
E01-2-9	C0025060256	SCREW M6X25	内梅花六角法兰面螺栓M6X25	3	
E01-2-10	C90032048003	RETURN SPRING RELEASE LEVER	复位弹簧	1	
E01-2-11	C90032049000	RELEASE SHAFT	离合器分离轴	1	
E01-2-12	C0799090003	LOCKING WASHER	开口挡圈9	1	
E01-2-13	C0760122060	SEAL 12/20/6	油封12x20x6	1	
E01-2-14	C90032148033	RELEASE LEVER ASSEMBLY	分离摇臂组件	1	
E01-2-15	C014580060206S	CYL. SCREW M6X20	梅花槽圆柱头螺钉M6X20	2	
E01-2-16	C90032052100	CABLE RETAINING BRACKET	拉线固定夹	1	
E01-2-17	C0025060166S	SCREW M6X16	内梅花六角法兰面螺栓M6X16	2	

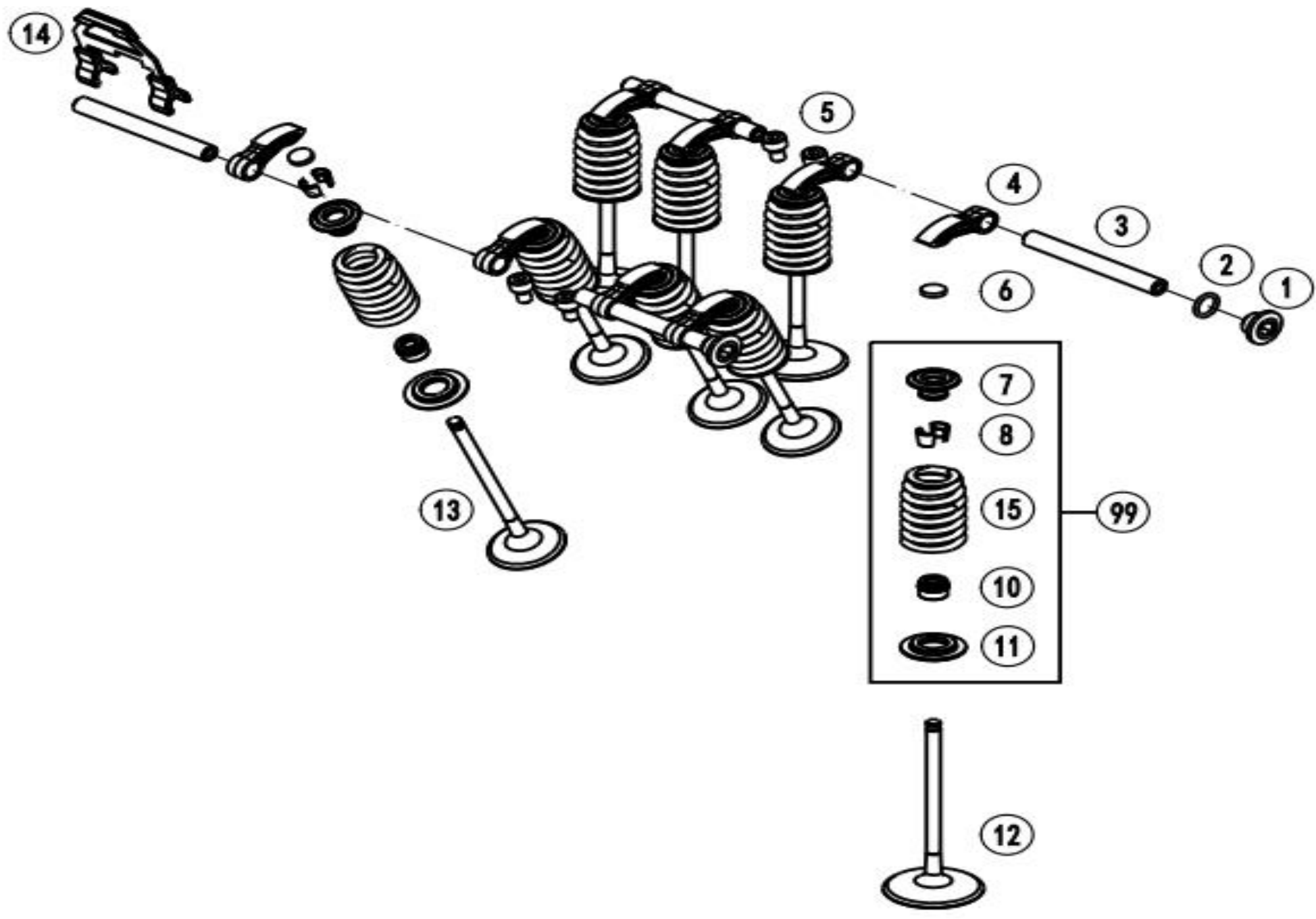
E02-1 气缸盖 CYLINDER HEAD



Item No.	Parts Number	Parts Name(EN)	Parts Name(CN)	Qty	Remark(s)
E02-1-1	C9003602010024	CYLINDER HEAD CPL.	气缸盖组件	1	SILVER FOR BLUE BIKE
E02-1-1	C90036020100FBP	CYLINDER HEAD	气缸盖组件	1	BLACK FOR YELLOW BIKE
E02-1-2	C90036025000	VALVE GUIDE INLET+EXHAUST	进排气门导管	8	
E02-1-3	C0402050980	NEEDLE ROLLER 5X9.8	圆柱销d5x9.8	2	
E02-1-4	C90030063050	OIL PRESSURE NOZZLE M5 50	喷油嘴50/M5	8	
E02-1-5	C90036052010	DECOUPLING	减震螺栓密封垫	1	
E02-1-6	C90036055000	VALVE MECHANISM COVER SCREW	气缸盖减震螺栓	1	
E02-1-7	C0025060556	SCREW M6X55	内梅花六角法兰面螺栓M6X55	2	
E02-1-8	C0025060405	SCREW M6X40	螺栓M6X40	16	
E02-1-9	C0906100100	SCREW 10X1-8 DIN 906	内六角螺塞M10X1	1	
E02-1-10	C90038091000	OIL PRESSURE SWITCH	机油压力传感器	1	
E02-1-11	C07700900151	O-RING 9X1,5	O型圈9x1.5	1	
E02-1-12	C90035047000	COOLANT TEMPERATURE SENSOR	水温传感器	1	
E02-1-13	C0770100020	O-RING	O型圈10x2	1	
E02-1-14	C0908120153	SCREW M12X1,5	内六角带垫螺塞M12X1.5	1	
E02-1-15	C90030036300	CYLINDER HEAD GASKET	气缸盖垫片	1	
E02-1-16	C90030014100	PASS BUSHING 10,2/12,5/10	定位销10.2x12.5x10	2	
E02-1-17	C90035017000	THERMOSTAT 76°C	节温器76°C	1	
E02-1-18	C90035019100	COOLANT CONNECTION	节温器盖组合	1	
E02-1-19	C0025050166S	SCREW M5X16	内梅花六角法兰面螺栓M5X16	3	
E02-1-20	C90030044000	CYLINDER HEAD SCREW M10	气缸盖螺栓M10	6	
E02-1-21	C90036089010	WASHER 10,5/19/2,5	垫圈10.5X19X2.5	6	
E02-1-22	C90036044000	INTAKE RUBBER	进气歧管	2	
E02-1-23	C90036048000	HOSE CLAMP D66	管夹d66	4	
E02-1-24	C0770298178	O-RING 29,87X1,78	O型圈29.87X1.78	4	
E02-1-25	C90036075000	SPARK PLUG SHAFT INSERT	点火线圈套管	2	
E02-1-26	C90036075050	GASKET SPARK PLUG SHAFT INSERT	套管密封垫	2	
E02-1-27	C90036053000	VALVE MANISM COVER GASKET	气缸盖罩密封垫	1	
E02-1-28	C90036052000FBP	VALVE MECHANISM COVER RAW PART	气缸盖罩	1	
E02-1-29	C90036054160	DECOUPLING ELEMENT	密封圈10.65x23x5	4	
E02-1-30	C90036054150	VALVE COVER SCREW	缸盖罩螺栓M6	4	
E02-1-31	C0770012030	O-RING 12X3 VITON	O型圈12x3	1	
E02-1-32	C90036081000	ANGLE PIECE BLEEDER	呼吸管接头	1	

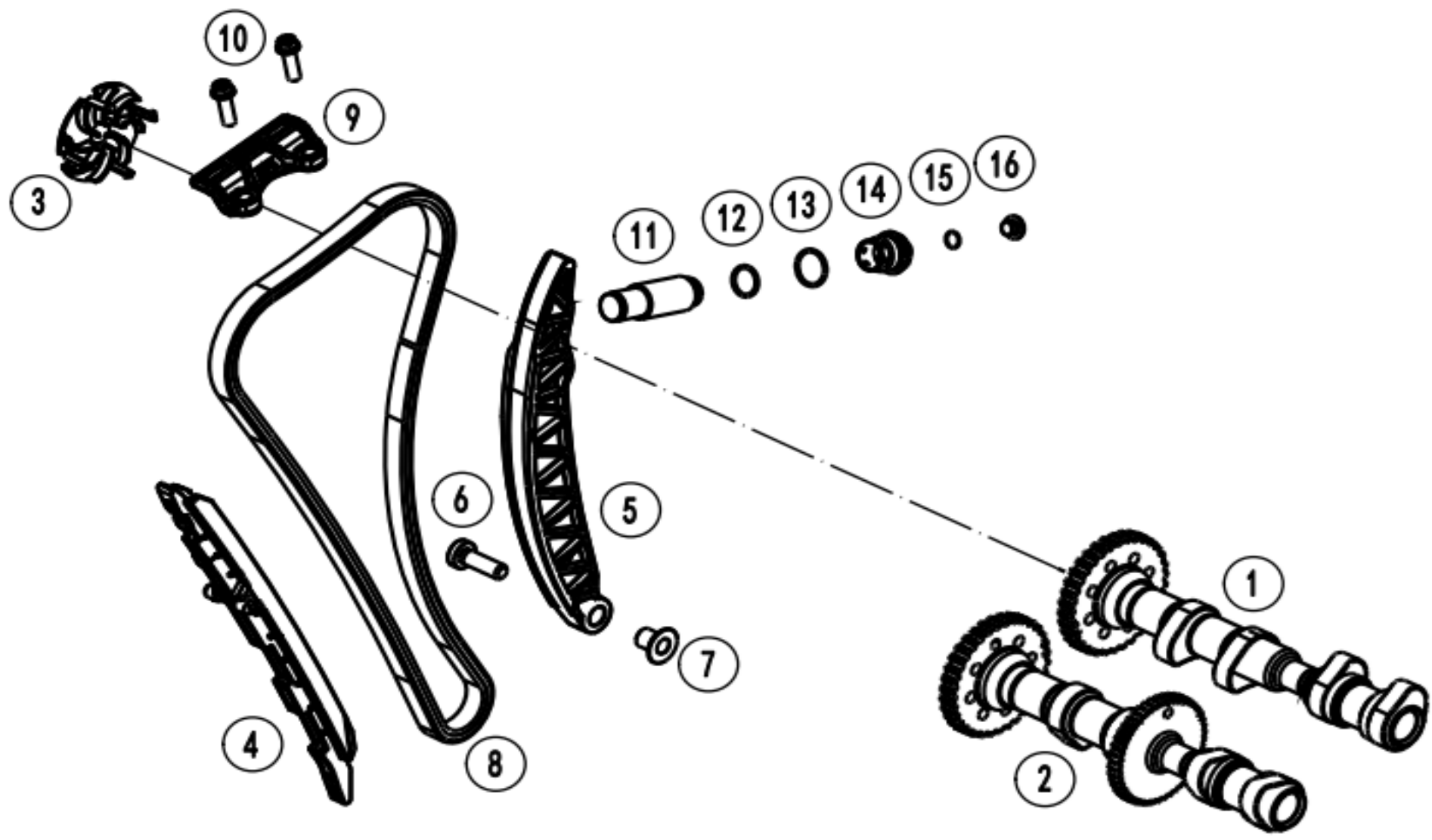
Item No.	Parts Number	Parts Name(EN)	Parts Name(CN)	Qty	Remark(s)
E02-1-33	C90036082150	RETAINING BRACKET ANGLE PIECE	呼吸管接头压板	1	
E02-1-34	C0025060126	SCREW M6X12	内梅花六角法兰面螺栓M6X12	1	
E02-1-35	C00050198706	VARIABLE ONE-YEAR CLAMP 19.8MM	单耳无级环箍19.8	1	
E02-1-36	C90030087100	ENIGNE BREATHER HOSE	呼吸器管	1	
E02-1-37	C90038016000	OIL SCREEN	机油滤网	1	

E02-2 气门 VALVE DRIVE



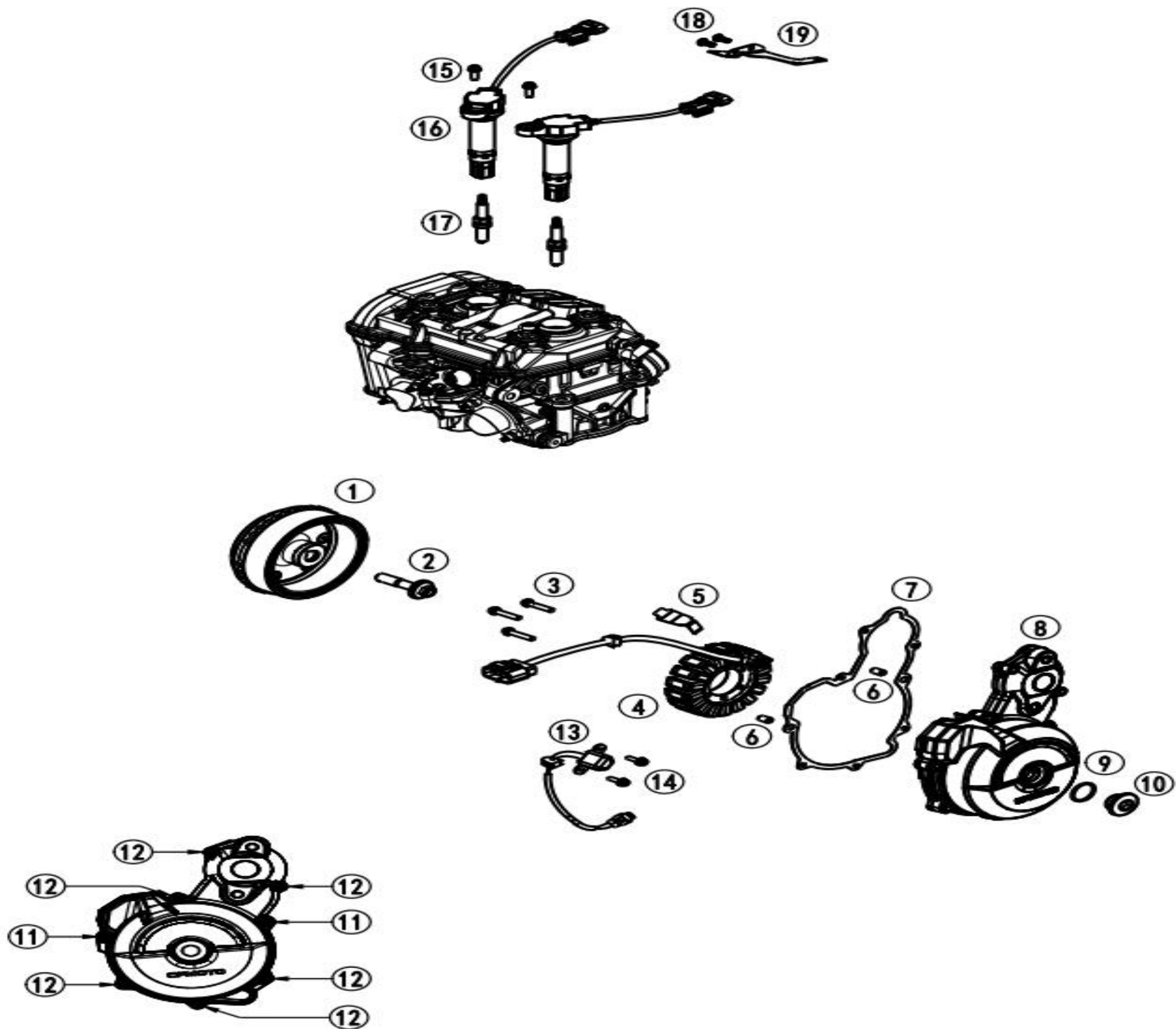
Item No.	Parts Number	Parts Name(EN)	Parts Name(CN)	Qty	Remark(s)
E02-2-1	K-77236080000	SCREW PLUG	SCREW PLUG	2	
E02-2-2	C07700900151	O-RING 9X1,5	O型圈9x1.5	2	
E02-2-3	C90036056000	CAM FOLLOWER SHAFT	指形摇臂轴	4	
E02-2-4	C90036360000	CAM FELLOWER	指形摇臂	8	
E02-2-5	C0912050083	CAP HEAD BOLT DIN 912 M5X8	内六角圆柱头螺栓M5x8	4	
E02-2-6	C90036035220	SHIM D8,9 T=2.20	气门间隙调整垫片D8.9厚度2.20	X	
E02-2-6	C90036035224	SHIM D8,9 T=2.24	气门间隙调整垫片D8.9厚度2.24	X	
E02-2-6	C90036035228	SHIM D8,9 T=2.28	气门间隙调整垫片D8.9厚度2.28	X	
E02-2-6	C90036035232	SHIM D8,9 T=2.32	气门间隙调整垫片D8.9厚度2.32	X	
E02-2-7	C90036032100	VALVE SPRING RETAINER	气门弹簧上座	8	
E02-2-8	C90036033000	VALVE COLLET	气门锁夹	16	
E02-2-10	C90036027100	VALVE GUIDE SEALING	气门杆密封圈	8	
E02-2-11	C90036036000	VALVE SPRING WASHER	气门弹簧下座	8	
E02-2-12	C90036030000	INLET VALVE	进气门	4	
E02-2-13	C90036031000	EXHAUST VALVE	排气门	4	
E02-2-14	C90036056050	AXIALCLIP FOR CAM FOLLOWER	摇臂定位夹组件	1	
E02-2-15	C90036028100	VALVE SPRING	气门弹簧	8	
E02-2-99	C90036028044	VALVE SPRING KIT	气门弹簧座圈套件	1	

E02-3 正时 TIMING DRIVE



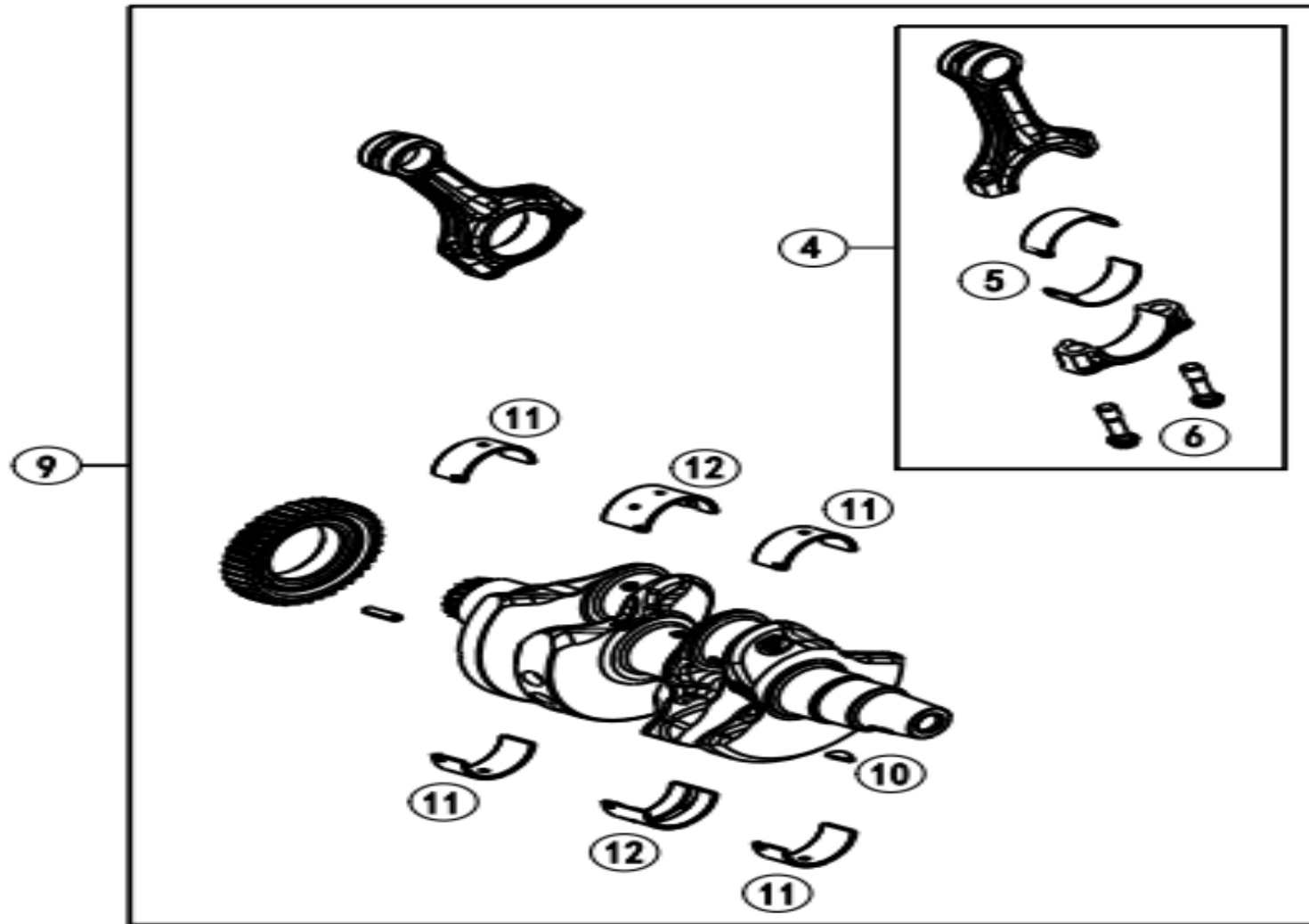
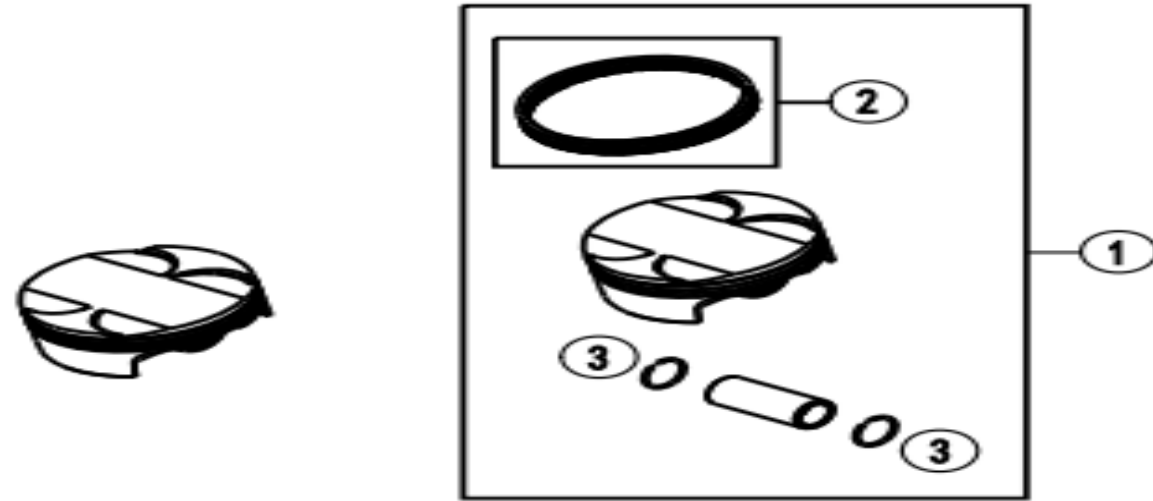
Item No.	Parts Number	Parts Name(EN)	Parts Name(CN)	Qty	Remark(s)
E02-3-1	C90036009044	CAMSHAFT INLET(ASSEMBLY)	进气凸轮轴(组装式)	1	
E02-3-2	C90036010044	CAMSHAFT EXHAUST (ASSEMBLY)	排气凸轮轴(组装式)	1	
E02-3-3	C90036080000	VENTING CENTRIFUGE	油气分离器	1	
E02-3-4	C90036101000	GUIDE RAIL	导链板	1	
E02-3-5	C90036102100	SLIDE RAIL	张紧板组件	1	
E02-3-6	C0035080256S	SCREW M8X25	内梅花球面圆柱头螺栓M8X25	1	
E02-3-7	C90036002150	COLLAR BUSHING	张紧板衬套	1	
E02-3-8	C90036013000	TIMING CHAIN 132 LIMBS	正时链	1	
E02-3-9	C90036105000	SLIDE BAR TOP COMPL.	上导轨组件	1	
E02-3-10	C0025060206S	SCREW M6X20	内梅花六角法兰面螺栓M6X20	2	
E02-3-11	C90036003100	CHAIN TENSION ADJUSTER	张紧器	1	
E02-3-12	C0770180020	O-RING 18X2 NBR 70	O型圈18x2	1	
E02-3-13	C0770220020	O-RING 22X2 NBR 70	O型圈22x2	1	
E02-3-14	C90036008200	SCREW CHAIN TENSION ADJUSTER CPL.	张紧器座组合	1	
E02-3-15	C0770010010	O-RING D10X1	O型圈10x1	1	
E02-3-16	K-77236080000	SCREW PLUG	SCREW PLUG	1	

E03 磁电机盖 IGNITION COVER



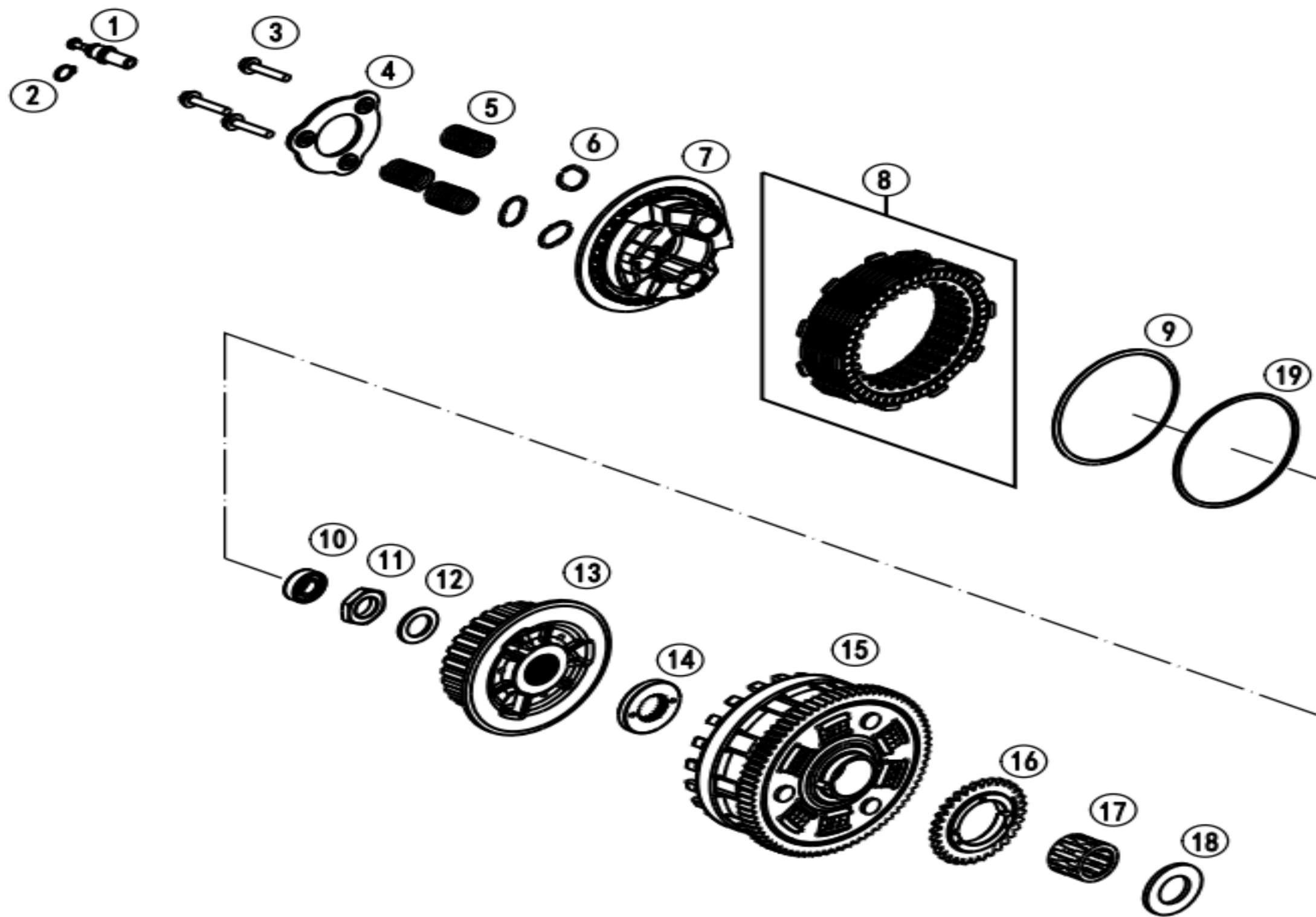
Item No.	Parts Number	Parts Name(EN)	Parts Name(CN)	Qty	Remark(s)
E03-1	C90039005000	ROTOR CPL.	飞轮转子	1	
E03-2	K-60339003000	SPECIAL SCREW M12X1,5 WS15	螺丝 M12X1.5	1	
E03-3	C0025060306S	SCREW M6X30	内梅花六角法兰面螺栓M6X30	3	
E03-4	C90039004000	STATOR	线圈定子	1	
E03-5	C90039040020	CABEL RETAINING BRACKET	压线板	1	
E03-6	C90030024000	FITTING SLEEVE 6X8X11	定位销6x8x11	2	
E03-7	C90030040000	IGNITION COVER GASKET	磁电机盖垫片	1	
E03-8	C9003000200024	IGNITION COVER	磁电机盖	1	
E03-9	C07700240251	FITTING SLEEVE 24X2,5	O型圈24x2.5	1	
E03-10	C90030094000FHB	CAP M24X1,5 (GRAY)	螺塞M24x1.5	1	
E03-10	C90030094000	PLUG M24X1.5 PA 6.6	螺塞M24x1.5	1	
E03-11	C0025060356	SCREW M6X35	内梅花六角法兰面螺栓M6X35	2	
E03-12	C0025060306	SCREW M6X30	内梅花六角法兰面螺栓M6X30	6	
E03-13	C90039034000	PICKUP SENSOR	传感器	1	
E03-14	C0025050166S	SCREW M5X16	内梅花六角法兰面螺栓M5X16	2	
E03-15	C0025060166	SCREW M6X16	内梅花六角法兰面螺栓M6X16	2	
E03-16	C90039006100	IGNITION COIL	点火线圈	2	
E03-17	C90039093000	SPARK PLUG M10X1	火花塞	2	
E03-18	30118-480130010	SELF-TAPPING SCREW ST4.8x13	自攻螺钉	2	
E03-19	C90011038000	RETAINING BRACKET SLS CPL.	点火线圈固定支架	1	

E04 曲轴 CRANKSHAFT



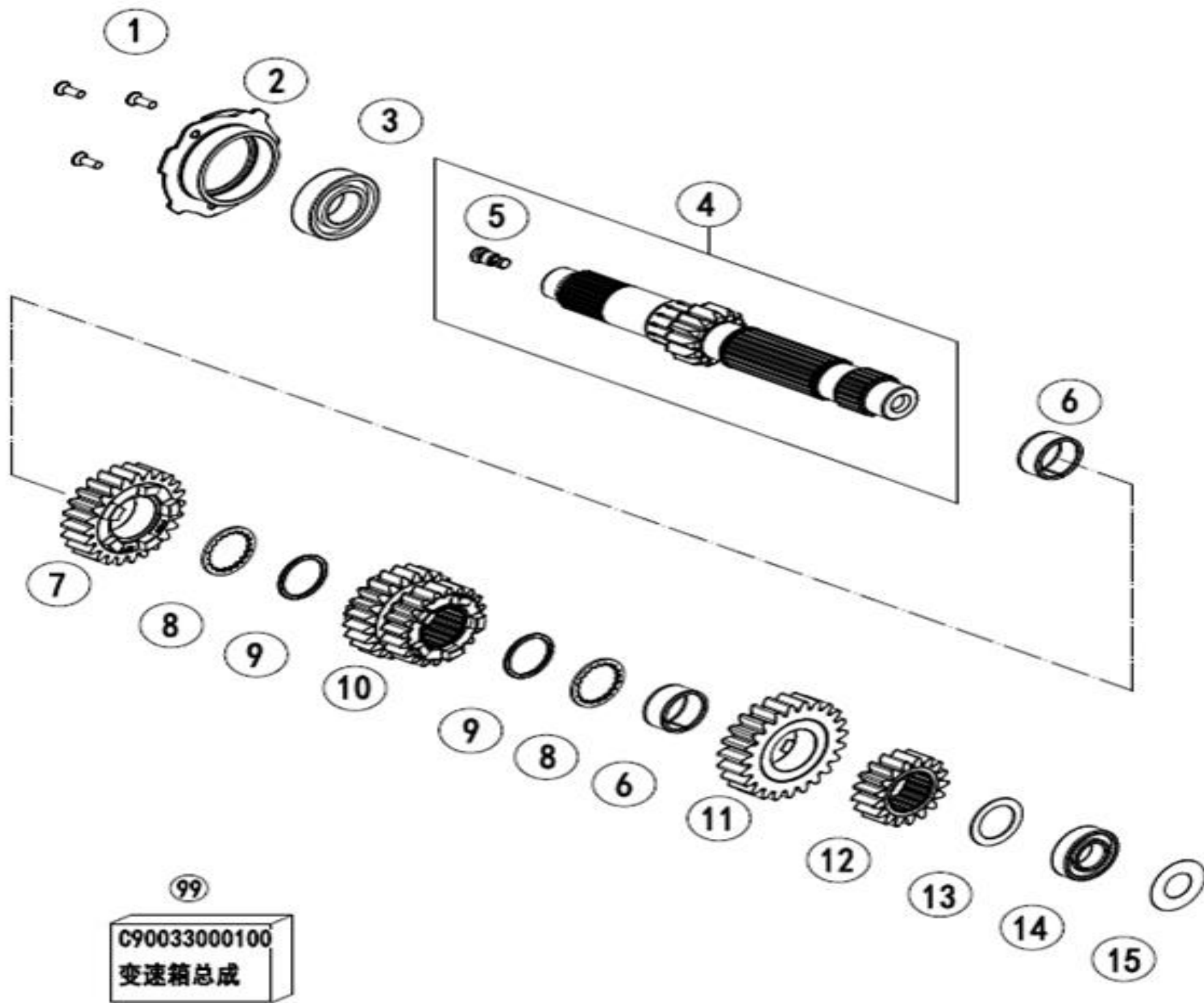
Item No.	Parts Number	Parts Name(EN)	Parts Name(CN)	Qty	Remark(s)
E04-1	C90030107033	PISTON CPL. (D88/20)	活塞组件	2	
E04-2	C90030131044	PISTON RING SET D=88MM	活塞环组件	2	
E04-3	C90030174000	CIRCLIP	挡圈	4	
E04-4	C9003001504401	CONROD ASSY BLUE	连杆组件_蓝色	2	
E04-4	C9003001504402	CONROD ASSY RED	连杆组件_红色	2	
E04-5	C900300140001	CONNECTING ROD BEARING SHELL 38/41/16 BLUE	连杆轴瓦38X41X16	X	
E04-5	C900300140002	CONNECTING ROD BEARING SHELL 38/41/16 RED	连杆轴瓦38X41X16	X	
E04-6	C90030013000	CONNECTING ROD SCREW M8X0,75	连杆螺栓M8X0.75	4	
E04-9	C90030014044	CRANKSHAFT CMPL	曲轴总成	1	
E04-10	C0888040050	SPRING WASHER D13/4	半圆键d13x4	1	
E04-11	C900300820002	MAIN BEARING SHELL 38/42/18 RED	主轴瓦38X42X18	X	
E04-11	C900300820001	PLAIN BEARING SHELL BLUE 38/42/18	主轴瓦38X42X18	X	
E04-12	C900301820001	MAIN BEARING SHELL WITH GROOVE 38/42/25 BLUE	带槽主轴瓦38X42X25	X	
E04-12	C900301820002	MAIN BEARING SHELL WITH GROOVE 38/42/25 RED	带槽主轴瓦38X42X25	X	

E05 离合器 CLUTCH



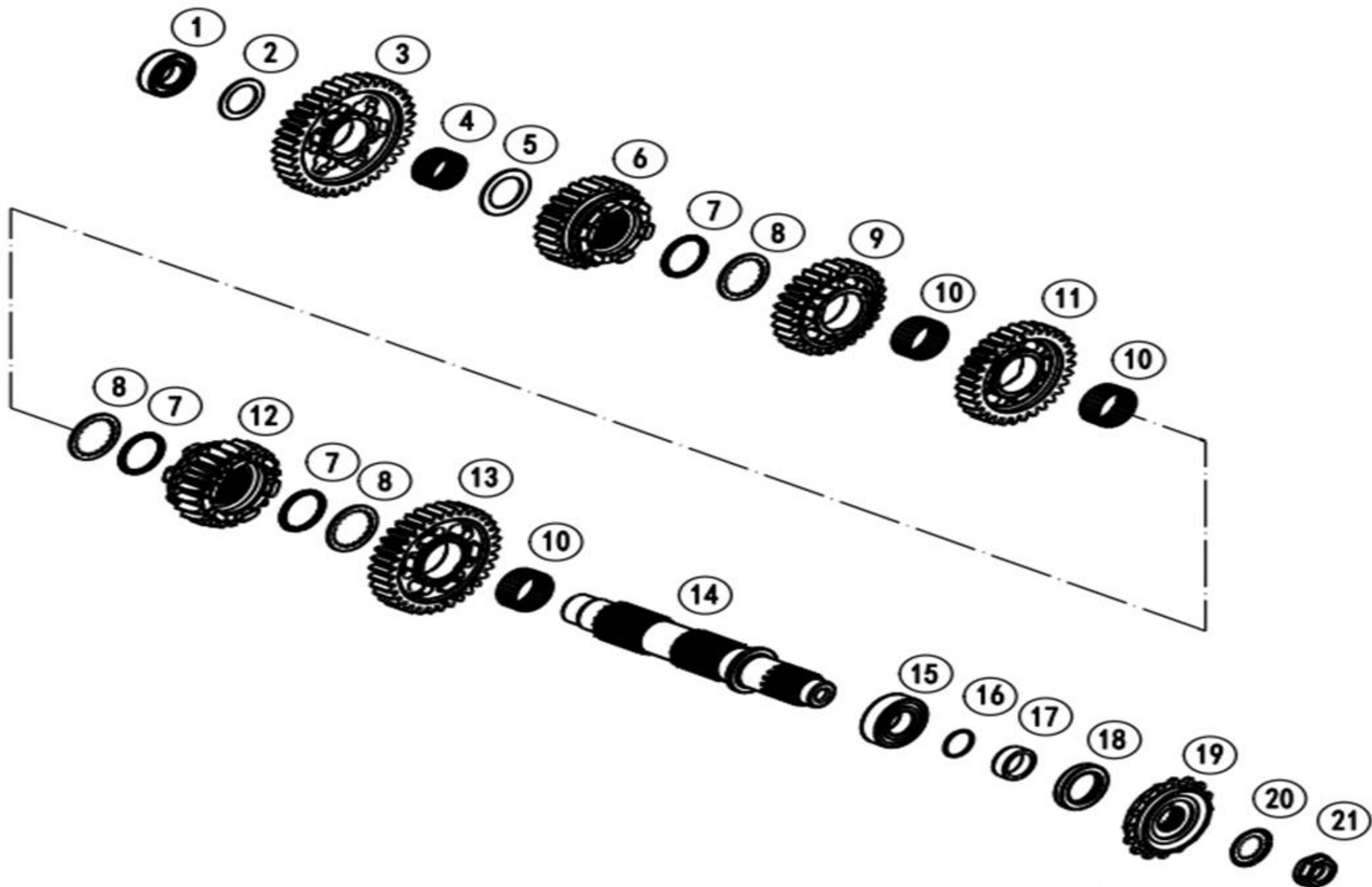
Item No.	Parts Number	Parts Name(EN)	Parts Name(CN)	Qty	Remark(s)
E05-1	C90032048104	TENSION BOLT	离合器拉杆	1	
E05-2	C0471120010	SEGER RING	轴用挡圈12	1	
E05-3	C90032044000	HEX BOLT M6	六角螺栓M6	3	
E05-4	C90032006000	STOP PLATE	止动盘	1	
E05-5	C90032005000	CLUTCH SPRING	离合弹簧	3	
E05-6	C90032041000	SPRING PLATE	弹簧片	3	
E05-7	C90032003000	PRESSURE CAP	压盖	1	
E05-8	C90832011010	CLUTCH PLATE PACK	离合器片	1	
E05-9	C90032034000	SPRING RETAINER	弹簧片	1	
E05-10	C0625060016	BEARING 12/28/8 (TORQUE LIMITER)	深沟球轴承	1	
E05-11	C90036073150	HEX NUT M20X1,5 H=6	六角螺母M20x1.5/h=6	1	
E05-12	C0252012103100	LOCK WASHER HLS 20	自锁垫圈	1	
E05-13	C90032002000	INNER CLUTCH HUB	内离合器鼓	1	
E05-14	C90032021000	TOOTHED WASHER	齿形垫	1	
E05-15	C90032001044	OUTER CLUTCH HUB CPL.	离合器壳组件	1	
E05-16	C90038001232	OIL PUMP DRIVE WHEEL 32Z	机油泵主动轮32z	1	
E05-17	C0405263525	NEEDLE BEARING 26/35/25	滚针轴承 26/35/25	1	
E05-18	C90032020000	WASHER 26/47/2.8	垫圈26x47x2.8	1	
E05-19	C90032035000	SUPPORT RING	支撑环	1	
E05-99	C90032100000	CLUTCH CPL.	离合器组件	1	

E06-1 主轴 MAIN SHAFT



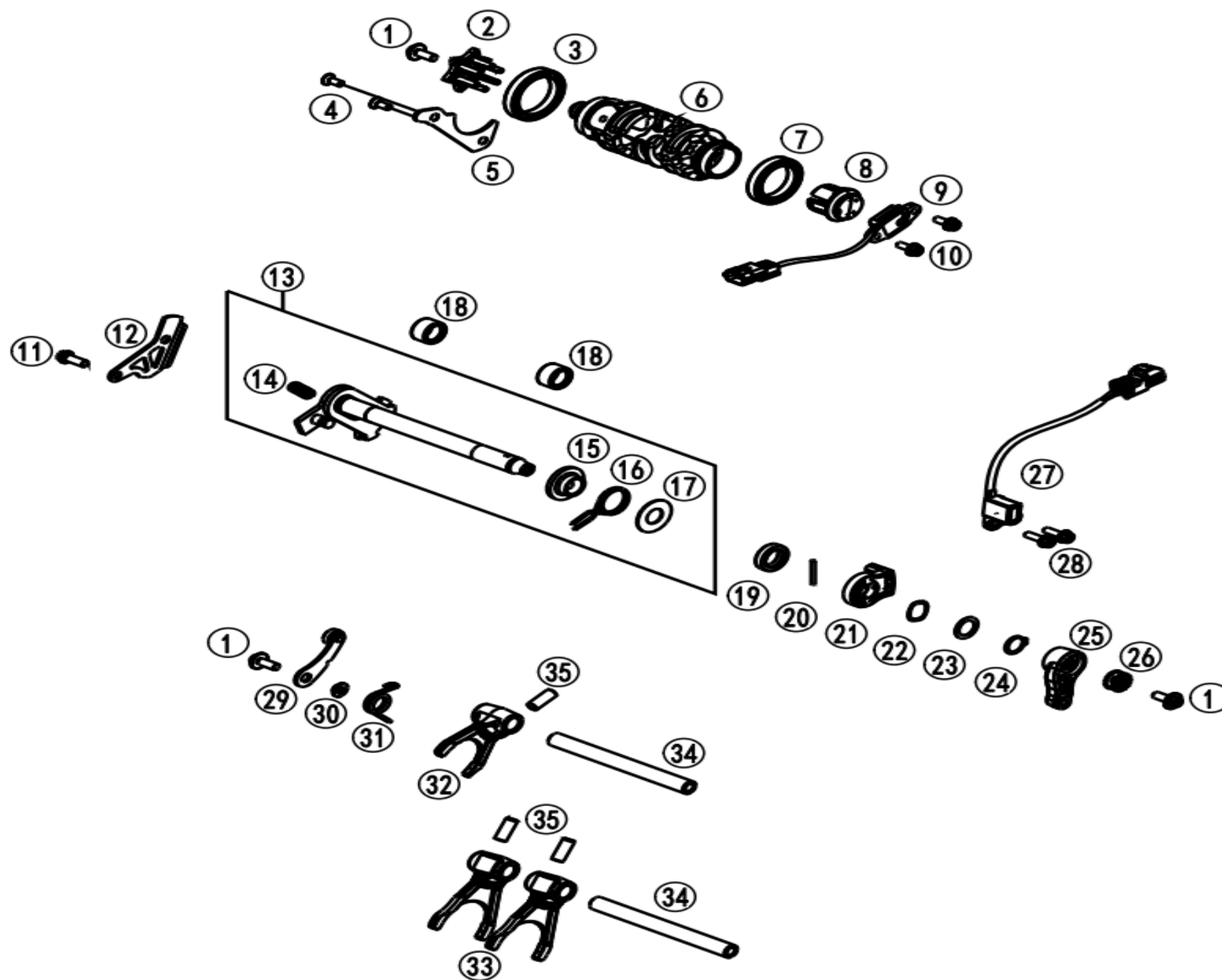
Item No.	Parts Number	Parts Name(EN)	Parts Name(CN)	Qty	Remark(s)
E06-1-1	C010642060166S	SCREW	内梅花沉头螺栓M6x16	3	
E06-1-2	C90030068000	BEARING FLANGE	轴承法兰	1	
E06-1-3	C0625062280	GROOVED BALL BEARING 28X58X16 62/28	深沟球轴承28x58x16	1	
E06-1-4	C90033001044	DRIVE SHAFT PREASSEMBLED	主轴组件	1	
E06-1-5	C90033001030	REDUCER 0,3MM M8	节流阀0.3mm M8	1	
E06-1-6	C0405242813G	NEEDLEBEARING K 24X28X13 GETEILT	滚针轴承 K 24x28x13(分开式)	2	
E06-1-7	C90033005000	IDLER GEAR 5.G	主动5档齿轮	1	
E06-1-8	C90033045000	TOOTHED WASHER D27	齿形垫圈	2	
E06-1-9	C0471026000	CIRCLIP D26	卡环d26	2	
E06-1-10	C90033003000	SLIDING GEAR 3/4.G	主动3、4档齿轮	1	
E06-1-11	C90033006000	IDLER GEAR 6.G	主动6档齿轮	1	
E06-1-12	C90033002000	SOLID GEAR 2.G	主动2档齿轮	1	
E06-1-13	C90033032000	STOP DISC 22.2/31.7/1	锁止垫片22.2x31.7x1	1	
E06-1-14	C0625068911	DEEP GROOVE BALL BEARINGS 22/45/12 60/22	深沟球轴承22X45X12	1	
E06-1-15	C90033088000	SEALING DISC 22X45X0,2	垫片22x45x0.2	1	
E06-1-99	C90033000100	GEARBOX CPL.(RAUNAQ)	换挡变速总成	1	

E06-2 副轴 COUNTER SHAFT



Item No.	Parts Number	Parts Name(EN)	Parts Name(CN)	Qty	Remark(s)
E06-2-1	C0625068911	DEEP GROOVE BALL BEARINGS 22/45/12 60/22	深沟球轴承22X45X12	1	
E06-2-2	C90033032000	STOP DISC 22.2/31.7/1	锁止垫片22.2x31.7x1	1	
E06-2-3	C90033011000	IDLER GEAR 1.G	从动1档齿轮	1	
E06-2-4	C0405242813	NEEDLEBEARING 24X28X13	滚针轴承24x28x13	1	
E06-2-5	C90033034000	STOP DISC 24.3/35.75/1	锁止垫片24.3x35.75x1	1	
E06-2-6	C90033015000	SLIDING GEAR 5.G	从动5档齿轮	1	
E06-2-7	C0471029000	SPIRD RETAINING RING D29	螺旋挡圈d29	3	
E06-2-8	C90033033000	STOP DISC 27/36/1.5	锁止垫片27x36x1.5	3	
E06-2-9	C90033014000	IDLER GEAR 4.G	从动4档齿轮	1	
E06-2-10	C0405263013G	NEEDLEBEARING 26X30X13 GETEILT	滚针轴承26x30x13(分开式)	3	
E06-2-11	C90033013000	IDLER GEAR 3.G	从动3档齿轮	1	
E06-2-12	C90033016000	SLIDING GEAR 6.G	从动6档齿轮	1	
E06-2-13	C90033012000	IDLER GEAR 2.G	从动2档齿轮	1	
E06-2-14	C90033010000	OUTPUT SHAFT	副轴	1	
E06-2-15	C90030024000	FITTING SLEEVE 6X8X11	圆柱滚子轴承25x52x15	1	
E06-2-16	C0770020220	O-RING 25,12/1,78	O型圈25.12x1.78	1	
E06-2-17	C90033032011	DISTANCE BUSHING 11MM	轴套25X32X11	1	
E06-2-18	C0760003247000	SHAFT SEAL RING 32/47/7	油封32x47x7	1	
E06-2-19	C90033029116	SPROCKET 16Z DAMPED	输出链轮16z	1	
E06-2-20	K-51033031000	LOCK WASHER	锁止垫片	1	
E06-2-21	C90033032300	NUT	链轮螺母M20x1.5	1	

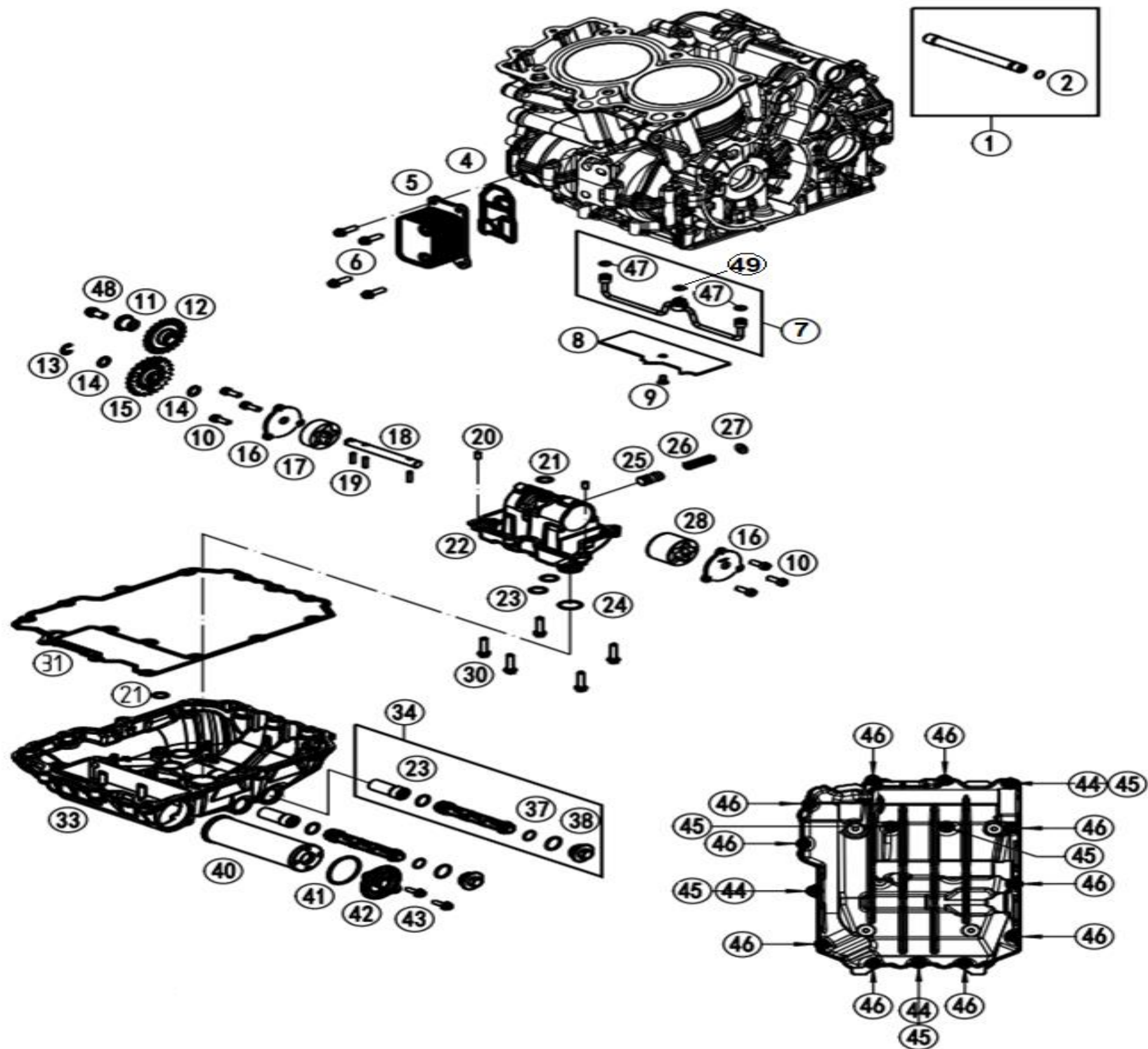
E06-3 换挡机构 SHIFTING MECHANISM



Item No.	Parts Number	Parts Name(EN)	Parts Name(CN)	Qty	Remark(s)
E06-3-1	C0024060156S	SCREW M6X15	内梅花六角法兰面螺栓M6X15	1	
E06-3-2	C90034015000	SHIFT STAR	变档定位星轮	1	

Item No.	Parts Number	Parts Name(EN)	Parts Name(CN)	Qty	Remark(s)
E06-3-3	C0625068070	DEEP GROOVE BALL BEARINGS 35/47/7	深沟球轴承35x47x7	1	
E06-3-4	C0019050121S	SCREW M5X12	内梅花沉头螺栓M5X12	2	
E06-3-5	C90034011200	BEARING RETAINING BRACKET SHIFT DRUM	限位板	1	
E06-3-6	C90034012001	SHIFT DRUM	变速毂	1	
E06-3-7	C0625068060	DEEP GROOVE BALL BEARINGS 30/42/7	深沟球轴承30x42x7	1	
E06-3-8	C90034012020	MAGNET HOLDER CPL.	磁铁夹组件	1	
E06-3-9	C90011023100	GEAR POSITION SENSOR	档位传感器	1	
E06-3-10	C0025050126	SCREW M5X12	内梅花六角法兰面螺栓M5X12	2	
E06-3-11	C0025060166S	SCREW M6X16	内梅花六角法兰面螺栓M6X16	1	
E06-3-12	C90033022000	BEARING LOCK WASHER (SHIFT SHAFT STOP)	轴承锁紧板	1	
E06-3-13	C90034005033	SHIFT SHAFT CPL.	变档轴分总成	1	
E06-3-14	C90034013100	TORSION SPRING 0.8MM	弹簧	1	
E06-3-15	C90034020000	SPRING GUIDE	弹簧座	1	
E06-3-16	C90034014000	RETURN SPRING	扭簧	1	
E06-3-17	C90034050001	STOP DISC 14X30X1	限位垫片	1	
E06-3-18	C90032095000	NEEDLE SLEEVE 14/20/12	冲压外圈滚针轴承14x20x12	2	
E06-3-19	C0760142460	SHAFT SEAL RING 14/24/6	油封14X24X6	1	
E06-3-20	C0007025241	STUD 2,5X24	圆柱定位销2.5x24	1	
E06-3-21	C90034050000	MAGNET HOLDER	磁铁夹	1	
E06-3-22	C90034050010	WAVE SPRING	波形弹簧SSB-0075-S17	1	
E06-3-23	C0988142005	SHIM 14X20X0,5	调整配合垫圈14x20x0.5	1	
E06-3-24	C0471140100	SEEGER RING 14X1	轴用挡圈14x1	1	
E06-3-25	C9003403000033	LINK SUPPORT CAM	变档杆摇臂	1	
E06-3-26	C90033041500	NORDLOCK WASHER M6	自锁垫圈M6	1	
E06-3-27	C90034051100	SHIFT SHAFT SENSOR	换挡轴传感器	1	
E06-3-28	C0984050123S	BOLT DIN6912 M5X12 8.8	薄型内六角圆柱头螺栓M5X12	2	
E06-3-29	C63534024000	LOCKING LEVER	锁止臂组件	1	
E06-3-30	C90034052000	STEP WASHER	台阶垫圈6x8x3.3	1	
E06-3-31	C90034023000	SPRING ARREST ARM	回位扭簧	1	
E06-3-32	C90034002000	SHIFT FORK	拨叉5-6档	1	
E06-3-33	C90034001000	SHIFT FORK	拨叉1-4档	2	
E06-3-34	C90034019100	SHIFT FORK SHAFT	拨叉轴	2	
E06-3-35	C0402080200	NEELDE ROLLER D8X20	滚针d8x20	3	

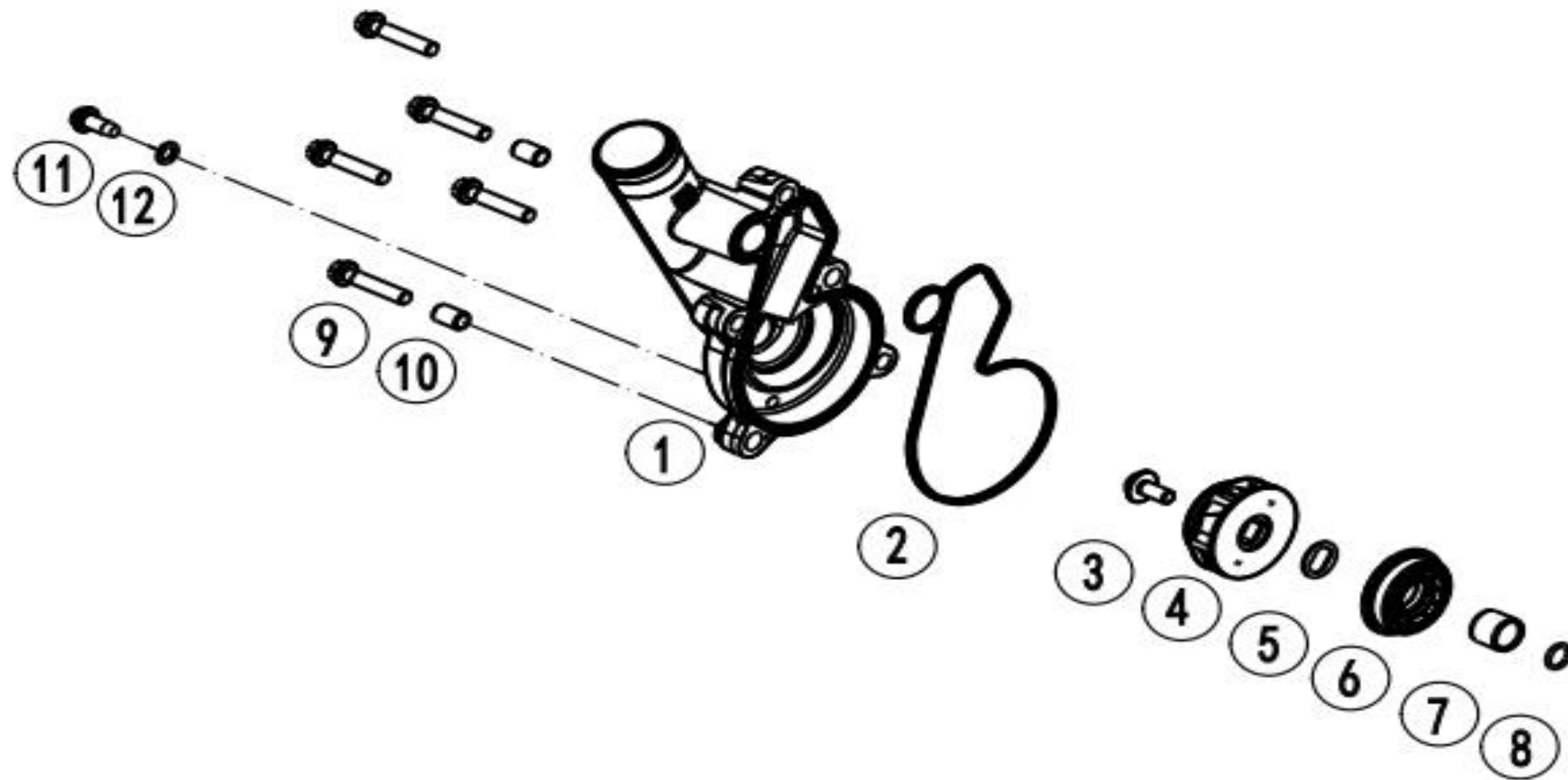
E07 润滑系统 LUBRICATING SYSTEM



Item No.	Parts Number	Parts Name(EN)	Parts Name(CN)	Qty	Remark(s)
E07-1	C90030065000	GEARBOX INJECTION PIPE CPL.	变速箱喷油管组件	1	
E07-2	C0770010010	O-RING D10X1	O型圈10x1	1	
E07-4	C90038051000	OIL COOLER GASKET	油冷器垫片	1	
E07-5	C90038050000	OIL/WATTER HEAT EXCHANGER CPL.	油冷器组件	1	
E07-6	C0025060206S	SCREW M6X20	内梅花六角法兰面螺栓M6X20	4	
E07-7	C90038035000	OIL HOSE CPL.	机油管组件	1	
E07-8	C90030086010	PRESSURE PLATE	压板	1	
E07-9	C0019050121S	SCREW M5X12	内梅花沉头螺栓M5X12	1	
E07-10	C014580060126S	CYL. SCREW M6X12	圆柱螺栓	6	
E07-11	C90038003000	BEARING BOLT	机油泵惰齿轮轴	1	
E07-12	C90038001022	OIL PUMP IDLER GEAR 22Z	机油泵惰轮组合22z	1	
E07-13	C0799080000	LOCK WASHER DIN 6799 - RS 8	开口挡圈	1	
E07-14	C90038007010	THRUST WASHER 10/16/0,5	垫圈10x16x0.5	1	
E07-15	C90038001224	OIL PUMP GEAR 24Z	油泵齿轮24z	1	
E07-16	C90038008050	OIL PUMP COVER	机油泵盖板	2	
E07-17	C90038009014	EATON PUMP SET CPL. 14MM	油泵转子组件14MM	1	
E07-18	C90038002000	OIL PUMP SHAFT	机油泵轴	1	
E07-19	C0402041580	NEEDLE ROLLER 4X15.8	滚针D4X15.8	3	
E07-20	C0402050980	NEEDLE ROLLER 5X9.8	圆柱销d5x9.8	2	
E07-21	C0770120020	O-RING 12X2	O型圈12X2	2	
E07-22	C90038012000	OIL PUMP HOUSING	机油泵体	1	
E07-23	C0770140200	O-RING 14X2 NBR 70 SHORE	O型圈14x2	4	
E07-24	C0770020020	O-RING 20X2 NBR 70	O型圈20x2	1	
E07-25	C90038128000	CONTROL PISTON	限压阀活塞	1	
E07-26	C90038026000	OIL COMPRESSION SPRING	限压阀弹簧	1	
E07-27	C90037073000	SHIM	垫片	1	
E07-28	C90038010000	EATON PUMP SET 30 MM	油泵转子组件30MM	1	
E07-30	C0025060256	SCREW M6X25	内梅花六角法兰面螺栓M6X25	5	
E07-31	C90030086100	OIL+SUMP+GASKET	油底壳密封垫	1	
E07-33	C9003008500024	OIL PAN	油底壳组件	1	
E07-34	C90038021200	OIL SCREEN CPL.	机油滤网组件	2	
E07-40	C90038015200	OILFILTER(WITH BYPASS)	机油滤芯	1	
E07-41	C07700390261	O-RING 39,34X2,62	O型圈39.34x2.62	1	

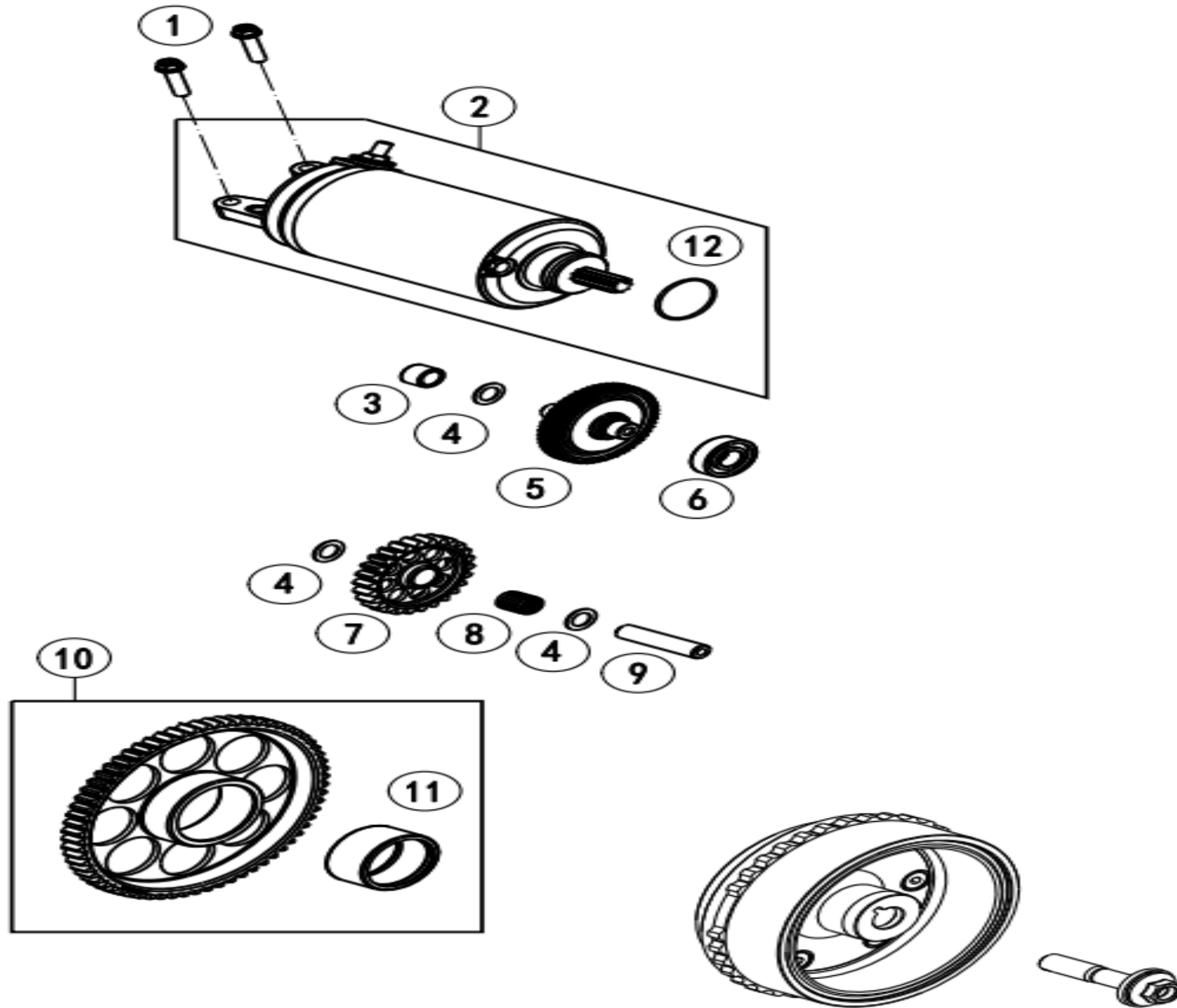
Item No.	Parts Number	Parts Name(EN)	Parts Name(CN)	Qty	Remark(s)
E07-42	C90038041200	OILFILTER COVER	机滤盖	1	
E07-43	C0025050166	SCREW M5X16	内梅花六角法兰面螺栓M5X16	2	
E07-44	C90030024000	FITTING SLEEVE 6X8X11	定位销6x8x11	3	
E07-45	C0025060356	SCREW M6X35	内梅花六角法兰面螺栓M6X35	5	
E07-46	C0025060306	SCREW M6X30	内梅花六角法兰面螺栓M6X30	10	
E07-47	C0770060025	O-RING 6X2,5	O型圈6X2.5	2	
E07-48	C0025080166S	CYL. SCREW M8X16	内梅花六角法兰面螺栓M8X16	1	
E07-49	C0770070025	O-RING 7X2,5	O型圈7x2.5	1	

E08 水泵盖 WATER PUMP COVER



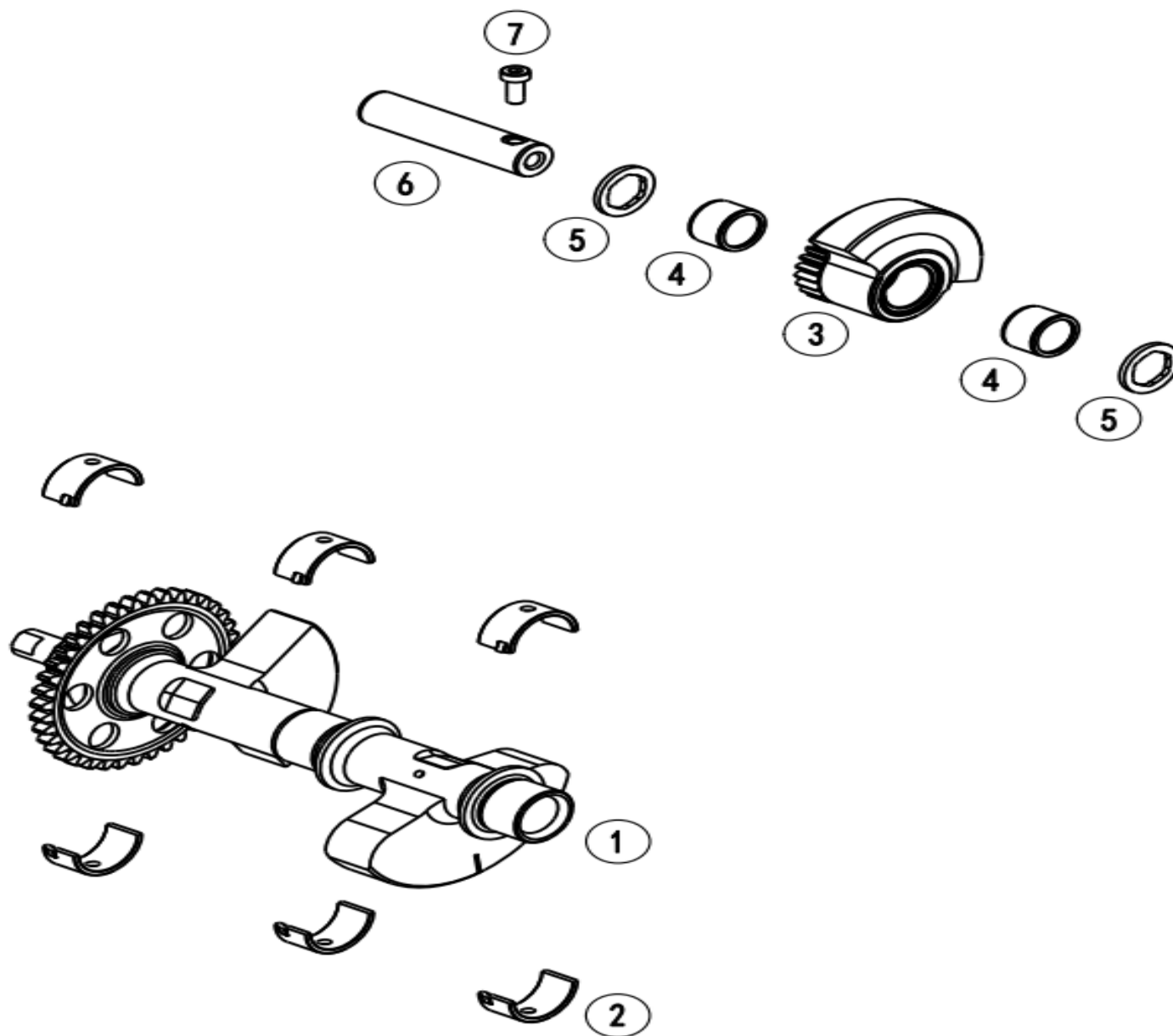
Item No.	Parts Number	Parts Name(EN)	Parts Name(CN)	Qty	Remark(s)
E08-1	C90035052000FBP	WATER PUMP COVER	水泵盖	1	
E08-2	C90035053100	WATER PUMP COVER GASKET	水泵盖密封圈	1	
E08-3	C0024060136S	SCREW M6X13	内梅花六角法兰面螺栓M6X13	1	
E08-4	C90035055000	WATER PUMP WHEEL	水泵叶轮组件	1	
E08-5	C90035055150	SUPPORT DISC	垫圈16x1	1	
E08-6	C0760153459	SHAFT SEAL RING	双唇油封15X34.5X9	1	
E08-7	C90036072020	WEAR BUSHING	水封衬套	1	
E08-8	C07700900151	O-RING 9X1,5	O型圈9x1.5	1	
E08-9	C0025060306S	SCREW M6X30	内梅花六角法兰面螺栓M6X30	5	
E08-10	C90030024000	FITTING SLEEVE 6X8X11	定位销6x8x11	2	
E08-11	C0025060126	SCREW M6X12	内梅花六角法兰面螺栓M6X12	1	
E08-12	C0603061002	SEAL RING 6/10/1	密封垫6X10X1(铜)DIN7603	1	

E09 启动电机 STARTER



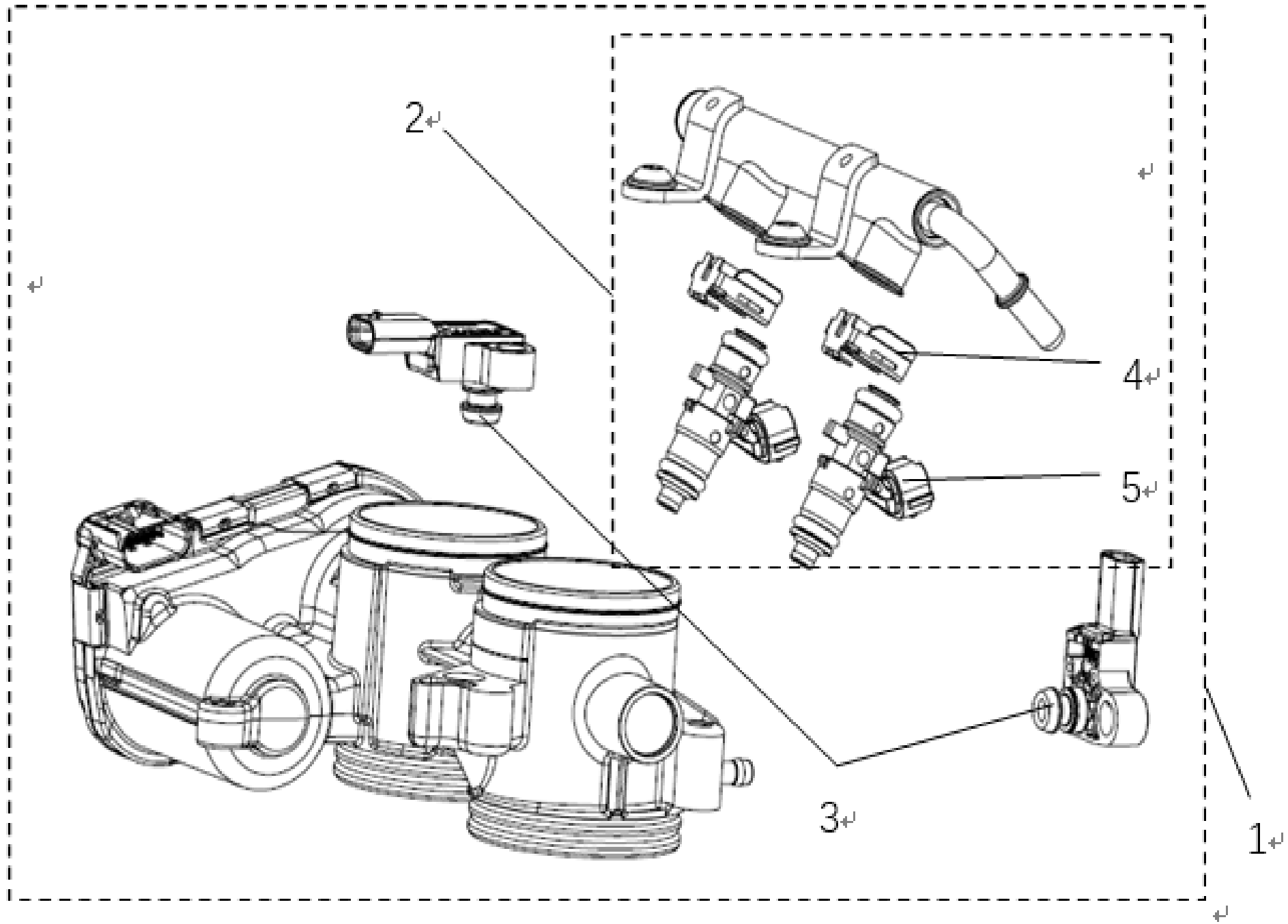
Item No.	Parts Number	Parts Name(EN)	Parts Name(CN)	Qty	Remark(s)
E09-1	C0025060256	SCREW M6X25	内梅花六角法兰面螺栓M6X25	2	
E09-2	C90040001000	E STARTER MOTOR 9Z	起动电机9z	1	
E09-3	C0618101410	NEEDLE SLEEVE 10/14/10	冲压外圈滚针轴承10x14x10	1	
E09-4	C90038007010	THRUST WASHER 10/16/0,5	垫圈10x16x0.5	3	
E09-5	C90040017100	TORQUE LIMITER CPL. 10/55Z	扭矩限制器组件10/55Z	1	
E09-6	C0625060016	BEARING 12/28/8 (TORQUE LIMITER)	深沟球轴承12x28x8	1	
E09-7	C90040022000	STARTER IDLER GEAR 26Z	起动惰齿轮26z	1	
E09-8	C90040090000	NEEDLE BEARING 10/13/13	滚针轴承10x13x13	1	
E09-9	C90040029000	BEARING BOLT	起动惰齿轮轴	1	
E09-10	C90040020000	FREEWHEEL GEAR CPL. 66Z	起动大齿轮组件66z	1	
E09-11	C0618354220	NEEDLE SLEEVE 35/42/20 HK3520	冲压外圈滚针轴承35x42x20	1	
E09-12	C0770244031	O-RING 24.40X3.10 NBR 70	O型圈24.40x3.10	1	

E16 平衡轴 BALANCER SHAFT



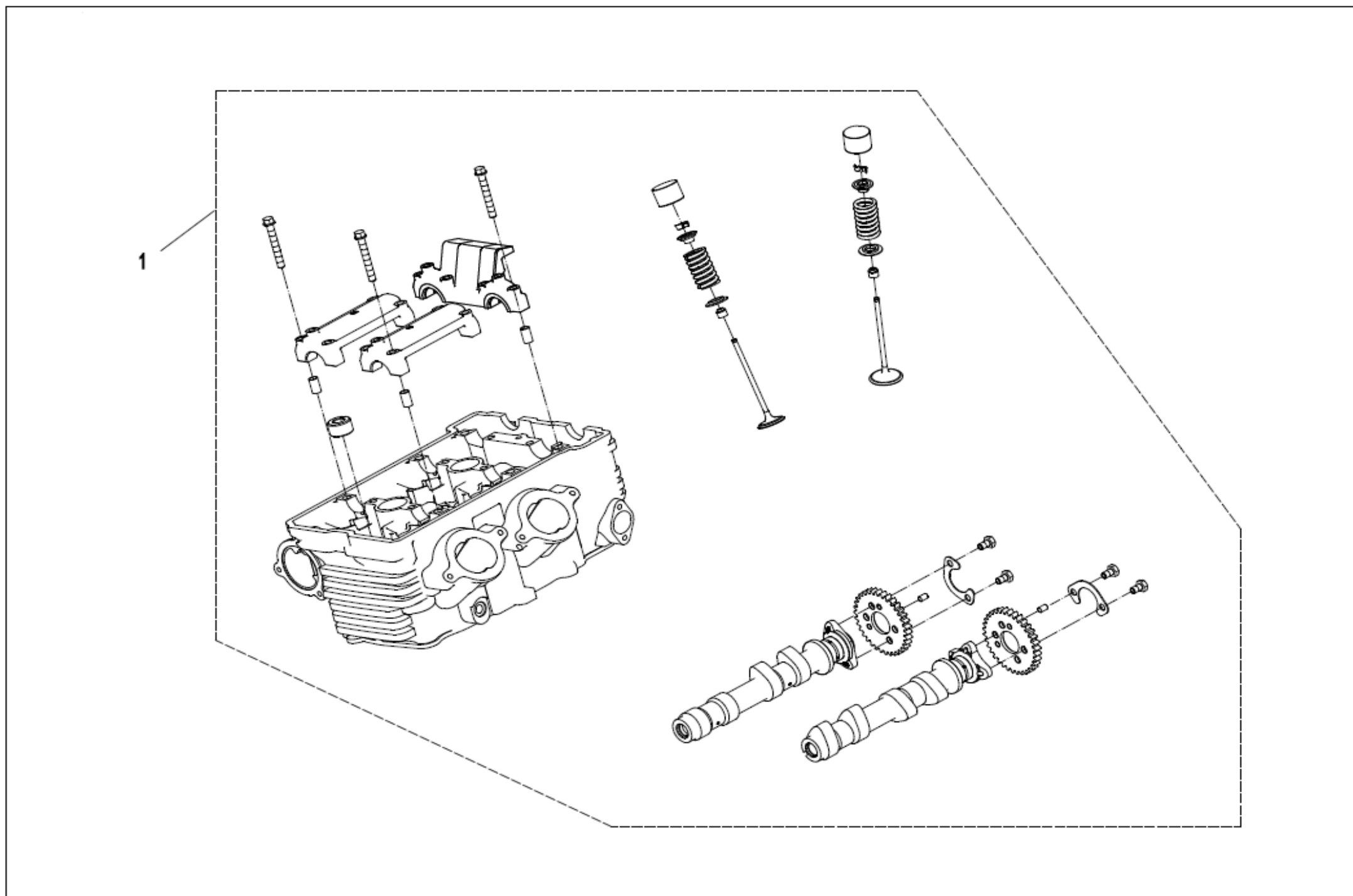
Item No.	Parts Number	Parts Name(EN)	Parts Name(CN)	Qty	Remark(s)
E16-1	C90030057044	BALANCING SHAFT FRONT CPL.	前平衡轴组件	1	
E16-2	C90030057050	BEARING SHELL BALANCER SHAFT	平衡轴瓦	6	
E16-3	C90030059100	BALANCING SHAFT ABOVE CPL.	上平衡轴组件	1	
E16-4	C0405151913	NEEDLE BEARING 15/19/13	滚针轴承15x19x13	2	
E16-5	C90030059060	THRUST WASHER	垫圈15.5x25.5x2	2	
E16-6	C90030059050	BEARING BOLT	上平衡轴心轴	1	
E16-7	C0984050123S	BOLT DIN6912 M5X12 8.8	薄型内六角圆柱头螺栓M5X12	1	

E17 节气门阀体和喷油器 THROTTLE&INJECTOR



Item No.	Parts Number	Parts Name(EN)	Parts Name(CN)	Qty	Remark(s)
E17-1	0PW0-173000	THROTTLE BODY ASSY	电子节气门阀体总成	1	
E17-2	0PW0-171000	FUEL PIPE ASSY	燃油分配管总成	1	
E17-3	0HU0-173200	AIR INTAKE PRESSURE SENSOR	进气压力传感器	2	
E17-4	0JYA-170001	CLASP	卡簧	2	
E17-5	0PW0-171100	FUEL INJECTOR	喷油器	2	

E21 气缸盖套件 CYLINDER HEAD SYSTEM KIT



Item No.	Parts Number	Parts Name(EN)	Parts Name(CN)	Qty	Remark(s)
E21-1	C9003609900024	REPAIR KIT CYLINDER HEAD FOR CFMOTO	气缸盖维修套件(CF售后用)	1	
E21-1	C90036099000FBP	CYLINDER HEAD		1	